

CRAFT[®]

www.craft-bearings.lv

bearings

RENAULT SAF DAF IVECO SCANIA ROR VOLVO
MAN BPW MERCEDES BENZ KÄSSBOHRER



HUB BEARINGS

FOR A COMMERCIAL TRANSPORT

2013



Good day, dear Colleagues and also all to whom for any reason the catalog of our production got to hands. The list of products of enterprise «CRAFT bearings LV», the subsidiary of «CRAFT bearings» is presented in the catalogue.

Let's remind that from the moment of CRAFT bearings establishment in 1992 the main kind of activity of the company has been the production and sales of industrial bearings. In 2005 the shareholders have made the decision to start the production of absolutely new product – hub bearings for commercial transport. As a result of fruitful seven-years work in this direction, and thanks to successes and significant increase of hub bearings sales volumes – it had been advisably to create the independent enterprise, which would be engaged only in production and sale of automobile group bearings. Consequently CRAFT bearings LV has been created, the subsidiary of CRAFT bearings. The experience that has been saved up for the long period of work with automobile group bearings by professional employees team - engineers and managers who have been responsible for the automobile direction in CRAFT bearings has been put in the basis of new company.

The first steps taken by the top managers of CRAFT bearings LV have been the implementation of new marking for the automobile bearings. To the standard bearing number the additional marking “CRF” has been added, and also letter “A” after the basic number, this clearly indicate that the bearing belongs to the automobile group, as an example – “CRF-32310A”. This has been done in order to eliminate any misunderstanding, as previously some numbers of automobile group bearings and industrial bearings have been just the same. Moreover, for clients convenience the packing of automobile group bearings visually differs from the packing of industrial group bearings.

The automobile bearing differs from industrial one that its usage takes place in rather inclement environment where lubricating oil is rather soiled and also high working temperature and high deformation from loading is expected. Therefore CRAFT bearings with «A» specification possess the increased wear resistance, this helps to increase work –life of automobile bearings in comparison with general usage bearings.

It would be desirable to add about the new direction of our company, since 2012 we started to make repairing sets for commercial minibuses, 17 positions of this direction are presented in the catalogue. Maybe you will be interested in this – so you can buy such repairing sets in our dealers' centers.

As a conclusion it's necessary to mention that successful business depends on the correct choice and reliable partners. CRAFT bearings LV will undertake all possible that our cooperation will bring you just positive emotions. You only have to make the correct choice.

Sincerely yours and the best regards
General director of CRAFT bearings LV
Viktor Solovjov

CRAFT[™]
bearings

Since 1992

CONTENT

Hub bearings for commercial transport produced in Europe.....	9
Unit and transmission bearings for commercial transport produced in Europe	38
Bearings for commercial transport produced in Russia	48
Hub bearings repairing sets and hub units for minibuses and wagons made in Europe...	60
CRAFT bearings company's range.....	64

РОССИЙСКАЯ ФЕДЕРАЦИЯ
СЕРТИФИКАТ СООТВЕТСТВИЯ
(обязательная сертификация)

№ **C-LT.MT20.B.10493**
(номер сертификата соответствия)

ТР **0605840**
(учетный номер бланка)

ЗАЯВИТЕЛЬ UAB "CRAFT-bearings", т. +370-37-400-026, ф. +370-37-400-029
(наименование и место-
нахождение заявителя)

ИЗГОТОВИТЕЛЬ UAB "CRAFT-bearings", т. +370-37-400-026, ф. +370-37-400-029
(наименование и место-
нахождение изготовителя
продукции)

ОРГАН ПО СЕРТИФИКАЦИИ РОСС RU.0001.11MT20
(наименование и место-нахождение органа по сертификации,
выдавшего сертификат соответствия) Некоммерческая организация "Фонд поддержки потребителей"
ОС "МАДИ-ФОНД", ОГРН: 1037739238756
125829, г. Москва, Ленинградский пр-т, д.64, т. 499-1550445, 499-1550778

ПОДТВЕРЖДАЕТ, ЧТО ПРОДУКЦИЯ Подшипники, применяемые в автомобилях (см. приложение на
(информация об объекте сертификации, бланке №0142731), выпускаемые под торговой маркой "CRAFT-
подлежащая идентификации объекта) bearings", согласно каталогов фирмы UAB "CRAFT-bearings"
Серийный выпуск

код ОК 005 (ОКП)
см. приложение

**СООТВЕТСТВУЕТ ТРЕБОВАНИЯМ
ТЕХНИЧЕСКОГО РЕГЛАМЕНТА
(ТЕХНИЧЕСКИХ РЕГЛАМЕНТОВ)**

(наименование технического регламента (технических
регламентов), на соответствие требованиям которого
(которых) произошла сертификация)

Технический регламент о безопасности колесных транспортных средств
(Постановление Правительства РФ от 10 сентября 2009 г. № 720), ГОСТ 520-2002

код ЕКПС

код ТН ВЭД России
см. приложение

**ПРОВЕДЕННЫЕ ИССЛЕДОВАНИЯ
(ИСПЫТАНИЯ) И ИЗМЕРЕНИЯ**

- протокол испытаний № 1317/ZO/520/S/177-08, выданный ИЦ НИЦИАМТ (per. № РОСС RU.0001.21MT02);
- протоколы испытаний №№ 11_11G_608 от 12.01.2011, 13_07G_51101 от 12.03.2011, 142_1G_3202 от
26.03.2011, 14_7G_6203 от 26.03.2011, 15_2_UC205 от 05.04.2011, 15_9_Platus_64mm от 06.04.2011, выданные
Kauno Technologijos Universitetas

ПРЕДСТАВЛЕННЫЕ ДОКУМЕНТЫ - акт проверки производства № 858-Г от 22.08.2011г.;
(документы, представленные заявителем и орган по сертификации в качестве доказательства соответствия
продукции требованиям технического регламента (технических регламентов)) - сертификат ISO 9001:2008 № 80391А от 07.10.2008 г.;
- декларация UAB "CRAFT-bearings"

СРОК ДЕЙСТВИЯ СЕРТИФИКАТА СООТВЕТСТВИЯ с 03.10.2011 по 02.10.2014



Руководитель
(заместитель руководителя)
органа по сертификации
подпись, инициалы, фамилия

 А.С. Никитин

Эксперт (эксперты)
подпись, инициалы, фамилия

 Н.Д. Гудилин

РОССИЙСКАЯ ФЕДЕРАЦИЯ
ПРИЛОЖЕНИЕ
к СЕРТИФИКАТУ СООТВЕТСТВИЯ № **C-LT.MT20.B.10493**
(обязательная сертификация)

ТР 0142731
(учетный номер бланка)

Перечень однородной продукции, на которую распространяется действие сертификата соответствия

код ОК 005 (ОКП) код ТН ВЭД России	Наименование, типы, марки, модели однородной продукции, составные части изделия или комплекса	Обозначение документации, по которой выпускается продукция
46 1000	Подшипники шариковые	
8482 10 100 9		
46 1000	Подшипники шариковые	
8482 10 900 8		
46 2000	Подшипники роликовые конические	
8482 20 000 9		
46 2000	Подшипники роликовые сферические	
8482 30 000 9		
46 4000	Подшипники игольчатые	
8482 40 000 9		
46 4000	Подшипники с цилиндрическими роликами	
8482 50 000 9		
46 5000	Подшипники, включая комбинированные шарико-роликовые	
8482 80 000 9		
8482 99 000 0	Запасные части для подшипников	
8483 60 800 0	Соединительные муфты	



Руководитель
 (заместитель руководителя)
 органа по сертификации
подпись, инициалы, фамилия


 А.С. Никитин

Эксперт (эксперты)
подпись, инициалы, фамилия


 Н.Д. Гудилин



**BUREAU
VERITAS**

Certification

Awarded to

CRAFT bearings LTD

Draugystės str. 19, LT-51230 Kaunas, Lithuania

Bureau Veritas certify that the Management System of the above organisation has been audited and found to be in accordance with the requirements of the management system standards indicated below

STANDARD

ISO 9001:2008 / LST EN ISO 9001:2008

SCOPE OF SUPPLY

Production and trade of bearings

Original approval date **07 October 2008**

Last expiry date **06 October 2011**

Re-certification approval date **09 December 2011**

Subject to the continued satisfactory operation of the organisation's Management System

this certificate is valid until **08 December 2014**

To check the validity of this certificate please call tel. +370 5 233 79 73.

Further clarification regarding the scope of this certificate and the applicability of the Management System requirements may be obtained by consulting the organisation.

Issuing date: 13 December 2011

Certificate No: 948244

Issuing Office: Bureau Veritas Ltd, Utenos g. 20A, LT-12142 Vilnius, Lithuania
Managing Office: Bureau Veritas Certification Denmark A/S, Østlandsvej 1 B, 7900 Fredericia, Denmark



CRAFT
bearings

CERTIFICATE

**ГАРАНТИЙНОЕ СВИДЕТЕЛЬСТВО
«CRAFT-bearings»**

Подшипники ступиц для коммерческого транспорта

Производитель гарантирует надёжную работу подшипников **CRAFT**
на срок один год при пробеге до 300 тысяч километров

При изготовлении подшипников под маркой **CRAFT** используются:

- Высококачественная легированная сталь, применяемая в автомобильной промышленности.
- Специальные термостойкие и высоковязкие смазки для увеличения надёжности и работоспособности подшипников.
- Надёжное уплотнение, продлевающее срок эксплуатации подшипников и позволяющее выдерживать большой диапазон нагрузок.

Гарантия действительна при соблюдении условий монтажа, технического обслуживания и эксплуатации, принятых для коммерческого транспорта.

**CERTIFICATE OF GUARANTEE
„CRAFT - bearings”
Hub bearings for business transport**

Manufacturer guarantee the reliable work of bearings **CRAFT**
For one year time period with total run till 300 thousand kilometers

During the bearings production under brand **CRAFT** the following is used:

- High – quality alloyed steel that is used in motor-car industry.
- Special thermo-stable and high-tough grease in order to increase the reliability and efficiency of bearings .
- Reliable sealing that prolongs bearings operation time and gives possibility to stand over big load – range.

The guarantee is valid in case the requirements of assembling, technical maintenance and use, adopted for business transport, are followed.

Chairman of board of directors
“Craft-bearings”:
Viktors Solovjovs

Is issued by:
Head office, International sales Europe
Reg. Nr. CRF-02, Lithuania, 2008



THE POWER OF EXPERIENCE



HUB BEARINGS FOR COMMERCIAL TRANSPORT PRODUCED IN EUROPE

CRAFT number	OEM code	SKF code	Dimensions, mm	Weight, kg
VOLVO				

CRF-41.67828	21036050 20484350 20967828	VKBA 5423	93,800/148,000*135,000	4,563
CRF-41.67830	20518617 20967830		58,000/110,000*115,000	4,500
CRF-41.67831	20967831		68,000/125,000*115,000	4,773
CRF-30208 A	11043 183232		40,000/80,000*19,750	0,420
CRF-30209 A	11044	VKHB 2296	45,000/85,000*20,750	0,499
CRF-30211 A	11097		55,000/100,000*22,750	0,731
CRF-30214 A	11071 11271		70,000/125,000*26,250	1,220
CRF-30215 A	18412	VKHB 2168	75,000/130,000*27,250	1,340
CRF-30217 A	1652119 18459	VKHB 2334	85,000/150,000*30,500	2,050
CRF-30314 A	1656100		70,000/150,000*38,000	2,950
CRF-31311 A	18171		55,000/120,000*31,500	1,580
CRF-32018 A	184623 1699173	VKHB 2170	90,000/140,000*32,000	1,780
CRF-32020 A	184625	VKHB 2306	100,000/150,000*32,000	1,930
CRF-32206 A	183583	VKHB 2016	30,000/62,000*21,250	0,280
CRF-32207 A	183684	VKHB 2018	35,000/72,000*24,250	0,420
CRF-32208 A	183763	VKHB 2020	40,000/80,000*24,750	0,555
CRF-32209 A	11137 184593 7011137 183764	VKHB 2015	45,000/85,000*24,750	0,576
CRF-32210 A	183765 11099	VKHB 2017	50,000/90,000*24,750	0,644
CRF-32211 A	183769	VKHB 2019	55,000/100,000*26,750	0,880
CRF-32212 A	11075 1652099	VKHB 2347	60,000/110,000*29,750	1,200
CRF-32213 A	11076	VKHB 2288	65,000/120,000*32,750	1,480
CRF-32215 A	11066	VKHB 2033	75,000/130,000*33,250	1,770
CRF-32216 A	11067 181087	VKHB 2026	80,000/140,000*35,250	2,000
CRF-32219 A	181086	VKHB 2031	95,000/170,000*45,500	3,970
CRF-32306 A	11073	VKHB 2007	30,000/72,000*28,750	0,580
CRF-32308 A	181669 11074 181668	VKHB 2001	40,000/90,000*35,250	1,020
CRF-32309 A	1194652 11064	VKHB 2004	45,000/100,000*38,250	1,470

CRAFT number	OEM code	SKF code	Dimensions, mm	Weight, kg
VOLVO				

CRF-32310 A	11062	VKHB 2070	50,000/110,000*42,250	1,800
CRF-32311 A	11095 183338	VKHB 2002	55,000/120,000*45,500	2,290
CRF-32312 A	1699340	VKHB 2003	60,000/130,000*48,500	2,750
CRF-33012 A	183777	VKHB 2045	60,000/95,000*27,000	0,710
CRF-33013 A	183766	VKHB 2047	65,000/100,000*27,000	0,770
CRF-33014 A	183778	VKHB 2044	70,000/110,000*31,000	1,120
CRF-33015 A	183667 183767	VKHB 2046	75,000/115,000*31,000	1,150
CRF-33018 A	183768	VKHB 2048	90,000/140,000*39,000	2,250
CRF-33115 A	184678	VKHB 2222	75,000/125,000*37,000	1,800
CRF-33207 A	183648	VKHB 2182	35,000/72,000*28,000	0,550
CRF-33208 A	1652127 184679	VKHB 2065	40,000/80,000*32,000	0,716
CRF-33212 A	1652563	VKHB 2173	60,000/110,000*38,000	1,600
CRF-33214 A	1654326	VKHB 2066	70,000/125,000*41,000	2,170
CRF-33217 A	1699339	VKHB 2225	85,000/150,000*49,000	3,700
CRF-215249/215210 A	183348	VKHB 2050	75,987/131,975*39,000	2,080
CRF-218248/218210 A	1698580 183351	VKHB 2029	89,975/146,975*40,000	2,515
CRF-T2ED070 A	8151816	VKHB 2024	70,000/130,000*43,000	2,400
CRF-39580/39520 A	20428192 8151820 184088 815820	VKHB 2036	57,150/112,712*30,162	1,361
CRF-39590/39520 A	183245	VKHB 2175	66,675/112,712*30,162	1,144
CRF-537/532 A	181338+181402	VKHB 2014	50,800/107,950*38,100	1,497
CRF-575/572 A	181124+181125		76,200/139,992*36,512	2,319
CRF-580/572 A	181299+181125	VKHB 2041	82,550/139,992*36,512	2,200
CRF-594/592 A	181298+181128 191298+181128	VKHB 2040	95,250/152,400*39,688	2,540
CRF-598/592 A	181127+181128	VKHB 2083	92,075/152,400*39,688	2,548
CRF-663/653 A	184794 181280/181281	VKHB 2043	82,550/146,050*41,275	2,767
CRF-683/672 A	181278 181278+181279	VKHB 2042	95,250/168,275*41,275	3,680

CRAFT number	OEM code	SKF code	Dimensions, mm	Weight, kg
SCANIA				

CRF-41.24482	1413785 1439070 1443078 1476945 1724482 1868087	VKBA 5314	68,000/127,000*115,000	6,257
CRF-30208 A	172266		40,000/80,000*19,750	0,420
CRF-30214 A	129602		70,000/125,000*26,250	1,220
CRF-30216 A	14611	VKHB 2204	80,000/140,000*28,250	1,600
CRF-30217 A	174717 77545 174631	VKHB 2334	85,000/150,000*30,500	2,100
CRF-30219 A	33959		95,000/170,000*34,500	3,170
CRF-30307 A	177801	VKHB 2202	35,000/80,000*22,750	0,507
CRF-30309 A	177802	VKHB 2201	45,000/100,000*27,250	0,940
CRF-30312 A	366305 1357711	VKHB 2283	60,000/130,000*33,500	1,900
CRF-30314 A	123263 391289		70,000/150,000*38,000	3,040
CRF-30315 A	32553		75,000/160,000*40,000	3,540
CRF-32021 A	1415140	VKHB 2160	105,000/160,000*35,000	2,386
CRF-32208 A	214104	VKHB 2020	40,000/80,000*24,750	0,555
CRF-32212 A	1305878	VKHB 2347	60,000/110,000*29,750	1,200
CRF-32213 A	177892	VKHB 2288	65,000/120,000*32,750	1,480
CRF-32215 A	14102 177893	VKHB 2033	75,000/130,000*33,250	1,770
CRF-32216 A	14103	VKHB 2026	80,000/140,000*35,250	2,000
CRF-32217 A	14146	VKHB 2080	85,000/150,000*38,500	2,500
CRF-32218 A	14835	VKHB 2030	90,000/160,000*42,500	3,270
CRF-32219 A	33948	VKHB 2031	95,000/170,000*45,500	3,970
CRF-32220 A	123630	VKHB 2297	100,000/180,000*49,000	4,990
CRF-32306 A	14614	VKHB 2007	30,000/72,000*28,750	0,580
CRF-32308 A	14698	VKHB 2001	40,000/90,000*35,250	1,020
CRF-32309 A	1362149 14623 397314	VKHB 2004	45,000/100,000*38,250	1,470
CRF-32310 A	14735	VKHB 2070	50,000/110,000*42,250	1,800
CRF-32311 A	14764 178427	VKHB 2002	55,000/120,000*45,500	2,290
CRF-32312 A	14836 369624 373784	VKHB 2003	60,000/130,000*48,500	2,750
CRF-32313 A	14736		65,000/140,000*51,000	3,340

CRAFT number	OEM code	SKF code	Dimensions, mm	Weight, kg
SCANIA				

CRF-32316 A	123629		80,000/170,000*61,500	5,900
CRF-33017 A	264961 1364631	VKHB 2321	85,000/130,000*36,000	1,740
CRF-33018 A	1309570	VKHB 2048	90,000/140,000*39,000	2,250
CRF-33116 A	1301694	VKHB 2326	80,000/130,000*37,000	1,900
CRF-33207 A	363318	VKHB 2182	35,000/72,000*28,000	0,550
CRF-33208 A	284843	VKHB 2065	40,000/80,000*32,000	0,716
CRF-33212 A	345835	VKHB 2173	60,000/110,000*38,000	1,600
CRF-33215 A	260998	VKHB 2028	75,000/130,000*41,000	2,270
CRF-218248/218210 A	1524625 291060	VKHB 2029	89,975/146,975*40,000	2,515
CRF-T2ED070 A	322748	VKHB 2024	70,000/130,000*43,000	2,400

CRAFT number	OEM code	SKF code	Dimensions, mm	Weight, kg
IVECO				

CRF-41.83074	1905487 2996882 7183074 7183075 7189648 7189050 7179751	VKBA 5397	90,000/160,000*126,000	10,208
CRF-30206 A	8197270		30,000/62,000*17,250	0,240
CRF-30207 A	1109957 26799950		35,000/72,000*18,250	0,341
CRF-30208 A	1104291 1362792		40,000/80,000*19,750	0,420
CRF-30213 A	1136410 1905312		65,000/120,000*24,750	1,170
CRF-30214 A	1109964 26800020		70,000/125,000*26,250	1,220
CRF-30215 A	1102857	VKHB 2168	75,000/130,000*27,250	1,340
CRF-30216 A	1126121 26800040	VKHB 2204	80,000/140,000*28,250	1,600
CRF-30217 A	1109968	VKHB 2334	85,000/150,000*30,500	2,100
CRF-30218 A	1102858	VKHB 2248	90,000/160,000*32,500	2,630
CRF-30221 A	1102864	VKHB 2215	105,000/190,000*39,000	4,510
CRF-30304 A	26800320		20,000/52,000*16,250	0,170
CRF-30305 A	26800330 93803934 93806250	VKHB 2262	25,000/62,000*18,250	0,260
CRF-30307 A	26800350 8850842	VKHB 2202	35,000/80,000*22,750	0,507
CRF-30308 A	1109980		40,000/90,000*25,250	0,700
CRF-30309 A	1109981 26800370	VKHB 2201	45,000/100,000*27,250	0,940
CRF-30310 A	26800380		50,000/110,000*29,250	1,200
CRF-30311 A	26800620 26800390	VKHB 2198	55,000/120,000*31,500	1,670
CRF-30312 A	1102859	VKHB 2283	60,000/130,000*33,500	1,900
CRF-32011 A	1101597 7162191 8169268	VKHB 2060	55,000/90,000*23,000	0,568
CRF-32013 A	7164487 60141947	VKHB 2199	65,000/100,000*23,000	0,646
CRF-32017 A	60115335	VKHB 2169	85,000/130,000*29,000	1,300
CRF-32018 A	7162944 1103228	VKHB 2170	90,000/140,000*32,000	1,780

CRAFT number	OEM code	SKF code	Dimensions, mm	Weight, kg
IVECO				

CRF-32020 A	1905027 93161536	VKHB 2306	100,000/150,000*32,000	1,930
CRF-32021 A	1104922 8190538	VKHB 2160	105,000/160,000*35,000	2,386
CRF-32024 A	1102860 1103360	VKHB 2216	120,000/180,000*38,000	3,400
CRF-32206 A	5996248 1110000	VKHB 2016	30,000/62,000*21,250	0,280
CRF-32208 A	1110002 26800140 7164502	VKHB 2020	40,000/80,000*24,750	0,555
CRF-32210 A	26800160 1110003	VKHB 2017	50,000/90,000*24,750	0,644
CRF-32211 A	1125929 26800170	VKHB 2019	55,000/100,000*26,750	0,880
CRF-32212 A	1125573 8121907	VKHB 2347	60,000/110,000*29,750	1,200
CRF-32213 A	1905311	VKHB 2288	65,000/120,000*32,750	1,480
CRF-32214 A	1103142	VKHB 2284	70,000/125,000*33,250	1,680
CRF-32215 A	1103771	VKHB 2033	75,000/130,000*33,250	1,770
CRF-32217 A	7164544 26800230	VKHB 2080	85,000/150,000*38,500	2,500
CRF-32218 A	99041057 26800240 1905353	VKHB 2030	90,000/160,000*42,500	3,270
CRF-32219 A	1905350 26800250	VKHB 2031	95,000/170,000*45,500	3,970
CRF-32220 A	1905351	VKHB 2297	100,000/180,000*49,000	4,990
CRF-32221 A	26800270 7177004	VKHB 2212	105,000/190,000*53,000	6,100
CRF-32305 A	93803935	VKHB 2294	25,000/62,000*25,250	0,380
CRF-32308 A	1126887 26800580	VKHB 2001	40,000/90,000*35,250	1,020
CRF-32309 A	1110018 1110019	VKHB 2004	45,000/100,000*38,250	1,470
CRF-32310 A	1110020 26800600	VKHB 2070	50,000/110,000*42,250	1,800
CRF-32311 A	26800610	VKHB 2002	55,000/120,000*45,500	2,290
CRF-32312 A	26800390 1110022	VKHB 2003	60,000/130,000*48,500	2,750
CRF-32314 A	26800640	VKHB 2072	70,000/150,000*54,000	4,090
CRF-32315 A	26800650		75,000/160,000*58,000	4,970
CRF-33015 A	1133049	VKHB 2046	75,000/115,000*31,000	1,150
CRF-33019 A	1104923	VKHB 2082	95,000/145,000*39,000	2,290

CRAFT number	OEM code	SKF code	Dimensions, mm	Weight, kg
IVECO				

CRF-33020 A	1905027	VKHB 2124	100,000/150,000*39,000	2,390
CRF-33021 A	41800341	VKHB 2162	105,000/160,000*43,000	3,050
CRF-33108 A	1905252	VKHB 2190	40,000/75,000*26,000	0,510
CRF-33111 A	7160360	VKHB 2059	55,000/95,000*30,000	0,860
CRF-33113 A	4690299	VKHB 2214	65,000/110,000*34,000	1,300
CRF-33117 A	7164196	VKHB 2158	85,000/140,000*41,000	2,500
CRF-33118 A	7174945 42103253	VKHB 2331	90,000/150,000*45,000	3,130
CRF-33206 A	8582740	VKHB 2179	30,000/62,000*25,000	0,360
CRF-33207 A	7169935	VKHB 2182	35,000/72,000*28,000	0,550
CRF-33208 A	1905261 8582739	VKHB 2065	40,000/80,000*32,000	0,716
CRF-33211 A	7165686 42492259	VKHB 2061	55,000/100,000*35,000	1,200
CRF-33212 A	7160361	VKHB 2173	60,000/110,000*38,000	1,600
CRF-33213 A	7174946	VKHB 2051	65,000/120,000*41,000	1,910
CRF-33214 A	1905296	VKHB 2066	70,000/125,000*41,000	2,170
CRF-33217 A	41800342	VKHB 2225	85,000/150,000*49,000	3,700
CRF-220149/220110 A	1905300	VKHB 2285	99,975/156,975*42,000	2,842

CRAFT number	OEM code	SKF code	Dimensions, mm	Weight, kg
MAN				

CRF-41.19305	81.93420.0354 81.93420.0344	VKBA 5412 VKBA 5552	82,000/140,000*115,000	6,450
CRF-41.93288	81.93420.0330 81.93420.0288 81.93420.0349	VKBA 5377	70,000/196,000*130,000	12,618
CRF-41.93420	81.93420.0320 81.93420.0342 81.93420.0376 81.93420.6097	VKBA 5408	105,000/160,000*140,000	6,968
CRF-30210 A	06.32489.0047 06.32489.0048 06.32489.0049 81.93420.0218 A0.77302.1000 A0.95913.0210	VKHB 2167	50,000/90,000*21,750	0,566
CRF-30212 A	06.32489.0055 06.32489.0056		60,000/110,000*23,750	0,860
CRF-30215 A	06.32489.0019 06.32489.0059 81.93420.6025 87.52310.1410	VKHB 2168	75,000/130,000*27,250	1,340
CRF-30218 A	06.32489.0021 06.32480.4800 87.52310.1710	VKHB 2248	90,000/160,000*32,500	2,630
CRF-30220 A	06.32489.0032 06.32480.5000 06.32489.0095 A0.02343.1220 81.93420.0090	VKHB 2164	100,000/180,000*37,000	3,780
CRF-32017 A	06.32481.1200 06.32480.1200 06.32489.0060 06.32489.0091	VKHB 2169	85,000/130,000*29,000	1,300
CRF-32018 A	06.32489.0051 06.32489.0011	VKHB 2170	90,000/140,000*32,000	1,780
CRF-32019 A	06.32489.0012 06.32489.0114 06.32489.0115	VKHB 2161	95,000/145,000*32,000	1,820
CRF-32021 A	06.32489.0071 06.32489.0116 06.32489.0070	VKHB 2160	105,000/160,000*35,000	2,386
CRF-32024 A	06.32489.0063	VKHB 2216	120,000/180,000*38,000	3,400
CRF-32206 A	06.32499.0066 06.32499.0080 A0.02343.2206 A0.77322.0600	VKHB 2016	30,000/62,000*21,250	0,280
CRF-32207 A	06.32499.0079 06.32499.0068	VKHB 2018	35,000/72,000*24,250	0,420
CRF-32208 A	06.32499.0062 06.32499.0063 06.32489.0080 81.93420.0246	VKHB 2020	40,000/80,000*24,750	0,555

CRAFT number	OEM code	SKF code	Dimensions, mm	Weight, kg
MAN				

CRF-32211 A	06.32499.0001 06.32499.0064 87.52330.0600 87.52330.0610 81.93420.0056 A0.02343.2211	VKHB 2019	55,000/100,000*26,750	0,880
CRF-32215 A	06.32490.1400 06.32499.0005 87.52330.1010 A0.02343.2215 A0.77322.1500	VKHB 2033	75,000/130,000*33,250	1,770
CRF-32306 A	06.32490.2800 06.32499.0112 34.93420.0002 88.93420.6010 A0.02343.2306 A0.77323.0600	VKHB 2007	30,000/72,000*28,750	0,580
CRF-32308 A	06.32499.0015 34.93420.0000 87.52340.0600 A0.85759.6100	VKHB 2001	40,000/90,000*35,250	1,020
CRF-32309 A	06.32490.3100 06.32499.0013 06.32499.0133 34.93420.0003 81.93420.6051 84.93420.0023 A0.02343.2848 A0.85759.6000	VKHB 2004	45,000/100,000*38,250	1,470
CRF-32310 A	06.32499.0016 06.32499.0034 81.93420.0131 87.52340.0820	VKHB 2070	50,000/110,000*42,250	1,800
CRF-32311 A	06.32490.3300 06.32499.0017 34.93420.0001 87.52340.0910	VKHB 2002	55,000/120,000*45,500	2,290
CRF-32314 A	06.32499.0020	VKHB 2072	70,000/150,000*54,000	4,090
CRF-33014 A	06.32499.0109 06.32499.0110 81.93420.6016	VKHB 2044	70,000/110,000*31,000	1,120
CRF-33015 A	06.32491.6900 06.32499.0058 06.32499.0059 06.32499.0180	VKHB 2046	75,000/115,000*31,000	1,150
CRF-33019 A	06.32499.0036 81.93420.0185 87.52460.1503	VKHB 2082	95,000/145,000*39,000	2,290
CRF-33020 A	06.32499.0124 06.32499.0125 81.93420.0304	VKHB 2124	100,000/150,000*39,000	2,390
CRF-33021 A	06.32499.0096	VKHB 2162	105,000/160,000*43,000	3,050

<i>CRAFT</i> number	OEM code	SKF code	Dimensions, mm	Weight, kg
MAN				

CRF-33022 A	06.32499.0044 06.32499.0151 06.32499.0155	VKHB 2163	110,000/170,000*47,000	3,890
CRF-33113 A	06.32499.0039 06.32499.0073 06.32499.0108 06.32499.0116	VKHB 2214	65,000/110,000*34,000	1,300
CRF-33115 A	06.32499.0040 06.32499.0131 06.32499.0189 81.93420.0270	VKHB 2222	75,000/125,000*37,000	1,800
CRF-33206 A	06.32499.0065 06.32499.0175 06.32499.0176	VKHB 2179	30,000/62,000*25,000	0,360
CRF-33208 A	06.32489.0002 81.93420.0077	VKHB 2065	40,000/80,000*32,000	0,716
CRF-33209 A	06.32489.0044 81.93420.0078	VKHB 2067	45,000/85,000*32,000	0,820
CRF-33210 A	06.32489.0004 06.32489.0041 81.93420.0072	VKHB 2068	50,000/90,000*32,000	0,830
CRF-33212 A	06.32489.0045 06.56289.0045	VKHB 2173	60,000/110,000*38,000	1,600
CRF-33213 A	06.32489.0006 06.32489.0046 81.44050.0075 81.93420.0080	VKHB 2051	65,000/120,000*41,000	1,910
CRF-33215 A	06.32489.0042 81.44050.0070	VKHB 2028	75,000/130,000*41,000	2,270
CRF-33220 A	06.32499.0046 06.32499.0097 81.93420.0104	VKHB 2165	100,000/180,000*63,000	6,780
CRF-331933 A	06.32499.0043 06.32499.0081	VKHB 2132	70,000/130,000*57,500	2,830
CRF-39590/39520 A	81.93420.0163	VKHB 2175	66,675/112,712*30,162	1,144

CRAFT number	OEM code	SKF code	Dimensions, mm	Weight, kg
MERCEDES BENZ (MB)				

CRF-41.19305	014 981 9905 014 981 9305 017 981 5005 014 981 5105	VKBA 5412 VKBA 5552	82,000/140,000*115,000	6,450
CRF-30208 A	012 981 5705		40,000/80,000*19,750	0,420
CRF-30209 A	631 981 0005	VKHB 2296	45,000/85,000*20,750	0,499
CRF-30210 A	012 981 9705	VKHB 2167	50,000/90,000*21,750	0,566
CRF-30211 A	001 981 6205		55,000/100,000*22,750	0,731
CRF-30212 A	000 7200 30212		60,000/110,000*23,750	0,860
CRF-30216 A	001 981 8505 000 981 0205	VKHB 2204	80,000/140,000*28,250	1,600
CRF-30220 A	004 981 2105 004 981 4905 007 981 0005	VKHB 2164	100,000/180,000*37,000	3,780
CRF-30308 A	001 981 3105 001 981 5005		40,000/90,000*25,250	0,700
CRF-30309 A	006 981 4205 001 981 3705	VKHB 2201	45,000/100,000*27,250	0,940
CRF-30312 A	000 981 0505 000 981 8905 001 981 9705 012 981 9205	VKHB 2283	60,000/130,000*33,500	1,900
CRF-32010 A	002 981 1205 006 981 4505 009 981 4105 009 981 6005	VKHB 2191	50,000/80,000*20,000	0,370
CRF-32011 A	000 981 9002 002 981 1305 002 981 6605 006 981 5605 007 981 0405	VKHB 2060	55,000/90,000*23,000	0,568
CRF-32013 A	000 7200 32013	VKHB 2199	65,000/100,000*23,000	0,646
CRF-32018 A	004 981 1705 004 981 4305 005 981 5605 006 981 0005 000 7200 32018	VKHB 2170	90,000/140,000*32,000	1,780
CRF-32019 A	000 7200 32019 001 980 2602 002 981 5405 003 981 5105 006 981 4705	VKHB 2161	95,000/145,000*32,000	1,820
CRF-32020 A	001 981 6405 001 981 7205 004 981 7405 006 981 0405	VKHB 2306	100,000/150,000*32,000	1,930
CRF-32021 A	003 981 2505 003 981 2705 009 981 9401	VKHB 2160	105,000/160,000*35,000	2,386

CRAFT number	OEM code	SKF code	Dimensions, mm	Weight, kg
MERCEDES BENZ (MB)				

CRF-32206 A	000 7200 32206 001 981 1505 001 981 6105 001 981 6505 007 981 7605	VKHB 2016	30,000/62,000*21,250	0,280
CRF-32207 A	319 981 0005	VKHB 2018	35,000/72,000*24,250	0,420
CRF-32210 A	000 981 3605 000 7200 32210 000 7204 32210 001 981 8905 002 981 1905 002 981 2205 005 981 5305 319 981 0405	VKHB 2017	50,000/90,000*24,750	0,644
CRF-32211 A	000 981 3305 000 981 9005 000 7200 32211 001 981 8405 001 981 8605 002 981 2405 319 981 0205	VKHB 2019	55,000/100,000*26,750	0,880
CRF-32213 A	000 981 4105	VKHB 2288	65,000/120,000*32,750	1,480
CRF-32215 A	000 981 7405 000 981 8405 001 981 4805 327 981 0305	VKHB 2033	75,000/130,000*33,250	1,770
CRF-32216 A	000 981 0305 000 981 2401 000 981 7205 000 981 9405 000 7200 32216 006 981 0605	VKHB 2026	80,000/140,000*35,250	2,000
CRF-32217 A	000 981 2205 000 7200 32217 002 981 1705 002 981 1805 327 981 0405 327 981 2205	VKHB 2080	85,000/150,000*38,500	2,500
CRF-32219 A	000 981 2105	VKHB 2031	95,000/170,000*45,500	3,970
CRF-32306 A	000 981 9505 000 7200 32306 001 981 8705 001 981 9505 006 981 5905 001 981 8305	VKHB 2007	30,000/72,000*28,750	0,580
CRF-32309 A	004 981 1305	VKHB 2004	45,000/100,000*38,250	1,470
CRF-32310 A	000 7200 32310 001 981 2905 001 981 7405 001 981 8202 006 981 9905 000 981 2005 001 981 7605	VKHB 2070	50,000/110,000*42,250	1,800

<i>CRAFT</i> number	OEM code	SKF code	Dimensions, mm	Weight, kg
---------------------	----------	----------	----------------	------------

MERCEDES BENZ (MB)

CRF-32311 A	006 981 0805 006 981 6905 006 981 7405 010 981 9305	VKHB 2002	55,000/120,000*45,500	2,290
CRF-32312 A	011 981 6805 011 981 6905 015 981 7505	VKHB 2003	60,000/130,000*48,500	2,750
CRF-32314 A	004 981 9805 004 981 9905 005 981 0005 012 981 3205	VKHB 2072	70,000/150,000*54,000	4,090
CRF-33011 A	003 981 4305 005 981 4405 007 981 5705 009 981 9305 002 981 9305	VKHB 2156	55,000/90,000*27,000	0,700
CRF-33014 A	005 981 5505 005 981 6905 006 981 7605	VKHB 2044	70,000/110,000*31,000	1,120
CRF-33017 A	006 981 9705 006 981 8705 007 981 4905	VKHB 2321	85,000/130,000*36,000	1,740
CRF-33019 A	000 980 9602 002 981 9005 003 981 8605	VKHB 2082	95,000/145,000*39,000	2,290
CRF-33020 A	001 980 6602 005 981 8405 005 981 8505 006 981 0105	VKHB 2124	100,000/150,000*39,000	2,390
CRF-33021 A	000 980 9702 003 981 2605 003 981 2805 005 981 4905	VKHB 2162	105,000/160,000*43,000	3,050
CRF-33022 A	004 981 0705 004 981 0905 005 981 2105 008 981 3505	VKHB 2163	110,000/170,000*47,000	3,890
CRF-33109 A	003 981 1105 003 981 1605 003 981 9605 006 981 5705	VKHB 2056	45,000/80,000*26,000	0,560
CRF-33111 A	008 981 3605 000 980 7502 000 981 8302 006 981 8205	VKHB 2059	55,000/95,000*30,000	0,860
CRF-33113 A	003 981 4105 000 981 4518	VKHB 2214	65,000/110,000*34,000	1,300
CRF-33115 A	003 981 3205	VKHB 2222	75,000/125,000*37,000	1,800
CRF-33116 A	012 981 4005 012 981 4105 017 981 4905	VKHB 2326	80,000/130,000*37,000	1,900

CRAFT number	OEM code	SKF code	Dimensions, mm	Weight, kg
MERCEDES BENZ (MB)				

CRF-33117 A	001 980 6702 005 981 8305 005 981 8605 005 981 9905	VKHB 2158	85,000/140,000*41,000	2,500
CRF-33205 A	003 981 1005 003 981 1505 003 981 9505 140 981 0005 006 981 5805 005 981 2205	VKHB 2057	25,000/52,000*22,000	0,215
CRF-33207 A	005 981 0705 014 981 0605	VKHB 2182	35,000/72,000*28,000	0,550
CRF-33208 A	003 981 3905 003 981 7205 004 981 6805 006 981 6205 008 981 7505	VKHB 2065	40,000/80,000*32,000	0,716
CRF-33209 A	003 981 5305 003 981 5705 005 981 4105 004 981 7205	VKHB 2067	45,000/85,000*32,000	0,820
CRF-33210 A	002 981 7905 003 981 8305 004 981 4205 005 981 4005	VKHB 2068	50,000/90,000*32,000	0,830
CRF-33211 A	004 981 6405 004 981 6505 004 981 6705 006 981 6005	VKHB 2061	55,000/100,000*35,000	1,200
CRF-33213 A	001 980 0902 003 981 7405 003 981 3705 006 981 6305	VKHB 2051	65,000/120,000*41,000	1,910
CRF-33214 A	003 981 5205 003 981 5605 003 981 8505 006 981 5205 004 981 7305	VKHB 2066	70,000/125,000*41,000	2,170
CRF-33215 A	001 980 2702 002 981 8605 002 981 8905	VKHB 2028	75,000/130,000*41,000	2,270
CRF-33220 A	003 981 4505 004 981 1005 008 981 3405	VKHB 2165	100,000/180,000*63,000	6,780
CRF-331293 A	002 981 9505 003 981 0005 007 981 2505 008 981 5105	VKHB 2155	75,000/115,000*32,950	1,120
CRF-332330 A	005 981 3105 005 981 3005 005 981 8805	VKHB 2071	70,010/130,000*57,750	2,780

CRAFT number	OEM code	SKF code	Dimensions, mm	Weight, kg
RENAULT/RVI				

CRF-41.39770	50 104 36014 50 104 39770 504189654		70,000/194,000*112,000	10,700
CRF-41.67830	7420518617 7421021381		58,000/110,000*115,000	4,500
CRF-30205 A	7703090098	VKHB 2189	25,000/52,000*16,250	0,157
CRF-30207 A	09 591 30207		35,000/72,000*18,250	0,341
CRF-30208 A	09 591 30208		40,000/80,000*19,750	0,420
CRF-30209 A	7703090029 002 343 1209	VKHB 2296	45,000/85,000*20,750	0,499
CRF-30211 A	773021100		55,000/100,000*22,750	0,731
CRF-30216 A	50 006 09900	VKHB 2204	80,000/140,000*28,250	1,600
CRF-30217 A	09 591 30217	VKHB 2334	85,000/150,000*30,500	2,100
CRF-30220 A	09 591 30220	VKHB 2164	100,000/180,000*37,000	3,780
CRF-30309 A	773030900	VKHB 2201	45,000/100,000*27,250	0,940
CRF-32010 A	50 003 91585 50 003 92236	VKHB 2191	50,000/80,000*20,000	0,370
CRF-32011 A	50 003 89250 50 003 92237	VKHB 2060	55,000/90,000*23,000	0,568
CRF-32013 A	50 006 85691	VKHB 2199	65,000/100,000*23,000	0,646
CRF-32017 A	002 333 6246 50 104 43903	VKHB 2169	85,000/130,000*29,000	1,300
CRF-32018 A	50 002 54793 50 104 39301	VKHB 2170	90,000/140,000*32,000	1,780
CRF-32019 A	50 006 82662 50 102 41096 50 104 39224	VKHB 2161	95,000/145,000*32,000	1,820
CRF-32021 A	002 333 6044	VKHB 2160	105,000/160,000*35,000	2,386
CRF-32206 A	55 160 10506 7703090085 09 592 32206 002 333 6266 55 160 16470 55 160 16472	VKHB 2016	30,000/62,000*21,250	0,280
CRF-32207 A	50 003 88284 55 160 10573 09 595 32207 09 592 32207	VKHB 2018	35,000/72,000*24,250	0,420
CRF-32208 A	55 160 14042 09 592 32208 55 160 14518 55 160 14554 773220800	VKHB 2020	40,000/80,000*24,750	0,555

CRAFT number	OEM code	SKF code	Dimensions, mm	Weight, kg
RENAULT/RVI				

CRF-32209 A	09 592 32209 55 160 16467 55 160 16468 55 160 16469 55 160 10587 55 160 16471 773220900	VKHB 2015	45,000/85,000*24,750	0,576
CRF-32210 A	50 007 88063 50 007 88202 09 590 32210 55 160 10507	VKHB 2017	50,000/90,000*24,750	0,644
CRF-32211 A	55 160 10574 55 160 14519 09 592 32211	VKHB 2019	55,000/100,000*26,750	0,880
CRF-32212 A	09 595 32212	VKHB 2347	60,000/110,000*29,750	1,200
CRF-32214 A	09 592 32214	VKHB 2284	70,000/125,000*33,250	1,680
CRF-32215 A	09 592 32215 773221500	VKHB 2033	75,000/130,000*33,250	1,770
CRF-32216 A	09 592 32216 09 595 32216	VKHB 2026	80,000/140,000*35,250	2,000
CRF-32217 A	09 592 32217	VKHB 2080	85,000/150,000*38,500	2,500
CRF-32218 A	09 592 32218 09 595 32218	VKHB 2030	90,000/160,000*42,500	3,270
CRF-32219 A	09 592 32219	VKHB 2031	95,000/170,000*45,500	3,970
CRF-32220 A	09 592 32220 50 006 82543	VKHB 2297	100,000/180,000*49,000	4,990
CRF-32222 A	09 592 32222		110,000/200,000*56,000	6,900
CRF-32224 A	09 592 32224		120,000/215,000*61,500	8,750
CRF-32305 A	773230500 50 102 51382	VKHB 2294	25,000/62,000*25,250	0,380
CRF-32309 A	0773230900 09 595 32309	VKHB 2004	45,000/100,000*38,250	1,470
CRF-32310 A	09 595 32310	VKHB 2070	50,000/110,000*42,250	1,800
CRF-32311 A	09 595 32311	VKHB 2002	55,000/120,000*45,500	2,290
CRF-32312 A	09 595 32312	VKHB 2003	60,000/130,000*48,500	2,750
CRF-32313 A	09 595 32313		65,000/140,000*51,000	3,340
CRF-33012 A	50 003 50270 50 006 85835 55 160 10033 002 333 6094 55 160 16784 55 160 16786	VKHB 2045	60,000/95,000*27,000	0,710
CRF-33013 A	50 003 50189 50 006 85836 55 160 11446 50 104 39190 002 333 6095	VKHB 2047	65,000/100,000*27,000	0,770

CRAFT number	OEM code	SKF code	Dimensions, mm	Weight, kg
RENAULT/RVI				

CRF-33014 A	50 006 85837 55 160 15839 55 160 16788	VKHB 2044	70,000/110,000*31,000	1,120
CRF-33015 A	50 003 50029 50 006 85838 50 104 39171 55 160 10498	VKHB 2046	75,000/115,000*31,000	1,150
CRF-33018 A	50 003 50020 50 006 85839 55 160 14319	VKHB 2048	90,000/140,000*39,000	2,250
CRF-33108 A	50 003 90902 50 030 90902 50 101 36759 50 104 39059	VKHB 2190	40,000/75,000*26,000	0,510
CRF-33109 A	002 333 6078 002 333 6288	VKHB 2056	45,000/80,000*26,000	0,560
CRF-33117 A	50 006 75250 50 104 39570 50 105 87007	VKHB 2158	85,000/140,000*41,000	2,500
CRF-33205 A	50 030 90903 50 101 36758 50 018 52654	VKHB 2057	25,000/52,000*22,000	0,215
CRF-33206 A	50 030 90901 50 030 90068 50 104 39054 50 101 36766	VKHB 2179	30,000/62,000*25,000	0,360
CRF-33207 A	50 006 73467 50 006 90018 50 007 88712 50 104 39055	VKHB 2182	35,000/72,000*28,000	0,550
CRF-33208 A	50 101 36762 50 104 39056 50 005 46524	VKHB 2065	40,000/80,000*32,000	0,716
CRF-33209 A	002 333 6131 50 004 37785 50 030 90069 50 004 34273 50 030 90900 50 101 36767 55 160 10587 50 104 39060	VKHB 2067	45,000/85,000*32,000	0,820
CRF-33210 A	50 004 42185 50 004 42186 50 004 70672 50 004 70861 50 006 69957 50 104 39057 50 004 42189	VKHB 2068	50,000/90,000*32,000	0,830

CRAFT number	OEM code	SKF code	Dimensions, mm	Weight, kg
RENAULT/RVI				

CRF-33211 A	50 005 98486 50 007 86298 50 104 39061 50 004 43519	VKHB 2061	55,000/100,000*35,000	1,200
CRF-33212 A	002 333 6081	VKHB 2173	60,000/110,000*38,000	1,600
CRF-33213 A	50 004 37786 50 004 37791 50 008 73122 50 104 39065 50 101 36769 50 100 67672 50 103 68899 50 103 68900	VKHB 2051	65,000/120,000*41,000	1,910
CRF-33214 A	002 333 6061 002 333 6111 50 004 70673 50 004 70862 50 101 36663 50 104 39064 50 006 09898	VKHB 2066	70,000/125,000*41,000	2,170
CRF-33216 A	50 006 75627 50 105 87008 50 007 85898 50 007 85909	VKHB 2194	80,000/140,000*46,000	3,020
CRF-218248/218210 A	002 333 6108	VKHB 2029	89,975/146,975*40,000	2,515
CRF-580/572 A	09 599 01082	VKHB 2041	82,550/139,992*36,512	2,200
CRF-683/672 A	002 333 6006	VKHB 2042	95,250/168,275*41,275	3,680

CRAFT number	OEM code	SKF code	Dimensions, mm	Weight, kg
DAF				

CRF-41.03628	1697346		69,800/120,000*50,000 70,000/125,000*51,650	4,150
CRF-41.05052	1812161 1818003		100,000/148,000*135,000	5,700
CRF-41.05923	1818004		69,800/125,000*57,000 70,000/125,000*57,000	4,700
CRF-41.83074	1400291 1408086	VKBA 5397	90,000/160,000*126,000	10,208
CRF-32019 A	AMPA012 0622103	VKHB 2161	95,000/145,000*32,000	1,820
CRF-32020 A	0699117	VKHB 2306	100,000/150,000*32,000	1,930
CRF-32206 A	0491899 0164670	VKHB 2016	30,000/62,000*21,250	0,280
CRF-32309 A	0140896 0283686 0283684	VKHB 2004	45,000/100,000*38,250	1,470
CRF-32310 A	0556289 0626875	VKHB 2070	50,000/110,000*42,250	1,800
CRF-32311 A	0275823 0275828	VKHB 2002	55,000/120,000*45,500	2,290
CRF-33016 A	0631780	VKHB 2140	80,000/125,000*36,000	1,650
CRF-33019 A	0676987	VKHB 2082	95,000/145,000*39,000	2,290
CRF-33021 A	0266488	VKHB 2162	105,000/160,000*43,000	3,050
CRF-33115 A	0221664	VKHB 2222	75,000/125,000*37,000	1,800
CRF-33209 A	0636820	VKHB 2067	45,000/85,000*32,000	0,820
CRF-33210 A	0614943	VKHB 2068	50,000/90,000*32,000	0,830
CRF-33216 A	0556290	VKHB 2194	80,000/140,000*46,000	3,020
CRF-331933 A	0260204	VKHB 2132	70,000/130,000*57,500	2,830
CRF-39581/39520 A	202824 1400075	VKHB 2088	57,150/112,712*30,162	1,361
CRF-663/653 A	0174592	VKHB 2043	82,550/146,050*41,275	2,767
CRF-683/672 A	0174597	VKHB 2042	95,250/168,275*41,275	3,680

CRAFT number	OEM code	SKF code	Dimensions, mm	Weight, kg
SAF				

CRF-41.03650	3.200.2001.51 3.434.3650.00 4.200.2001.00 4.200.2001.01	VKBA 5549	82,000/195,300*110,000	14,800
CRF-42.343012	4.200.1016.02 3.434.3012.00		120,000/175,000*123,000	6,650
CRF-42.343016	3.434.3016.00		65,000/120,000*41,000 89,975/146,975*40,000	5,650
CRF-42.343018	3.434.3018.00		82,000/138,000*110,000	5,850
CRF-42.343019	3.434.3019.00		88,000/138,000*130,000	5,058
CRF-30307 A	4.200.0011.00	VKHB 2202	35,000/80,000*22,750	0,507
CRF-30309 A	4.200.0012.00	VKHB 2201	45,000/100,000*27,250	0,940
CRF-30310 A	4.200.0013.00		50,000/110,000*29,250	1,200
CRF-30311 A	4.200.0014.00	VKHB 2198	55,000/120,000*31,500	1,670
CRF-30312 A	4.200.0015.00	VKHB 2283	60,000/130,000*33,500	1,900
CRF-30313 A	4.200.0016.00	VKHB 2304	65,000/140,000*36,000	2,330
CRF-32209 A	4.200.0022.00	VKHB 2015	45,000/85,000*24,750	0,576
CRF-32213 A	4.200.0023.00	VKHB 2288	65,000/120,000*32,750	1,480
CRF-32217 A	4.200.0025.00	VKHB 2080	85,000/150,000*38,500	2,500
CRF-32218 A	4.200.0027.00	VKHB 2030	90,000/160,000*42,500	3,270
CRF-32219 A	4.200.0026.00	VKHB 2031	95,000/170,000*45,500	3,970
CRF-32221 A	4.200.0028.00	VKHB 2212	105,000/190,000*53,000	6,100
CRF-32309 A	4.200.0031.00	VKHB 2004	45,000/100,000*38,250	1,470
CRF-32311 A	4.200.0032.00	VKHB 2002	55,000/120,000*45,500	2,290
CRF-32312 A	4.200.0033.00	VKHB 2003	60,000/130,000*48,500	2,750
CRF-32314 A	4.200.0034.00	VKHB 2072	70,000/150,000*54,000	4,090
CRF-32316 A	4.200.0035.00		80,000/170,000*61,500	5,900
CRF-32318 A	4.200.0036.00		90,000/190,000*67,500	8,230
CRF-32924 A	4.200.1010.00	VKHB 2247	120,000/165,000*29,000	2,210
CRF-33113 A	4.200.0055.00	VKHB 2214	65,000/110,000*34,000	1,300
CRF-33118 A	4.200.1009.00	VKHB 2331	90,000/150,000*45,000	3,130
CRF-33207 A	4.200.0057.00	VKHB 2182	35,000/72,000*28,000	0,550
CRF-33209 A	4.200.0063.00	VKHB 2067	45,000/85,000*32,000	0,820
CRF-33211 A	4.200.0058.00	VKHB 2061	55,000/100,000*35,000	1,200
CRF-33212 A	4.200.0064.00	VKHB 2173	60,000/110,000*38,000	1,600
CRF-33213 A	4.200.0060.00	VKHB 2051	65,000/120,000*41,000	1,910
CRF-33215 A	4.200.0070.00	VKHB 2028	75,000/130,000*41,000	2,270
CRF-215249/215210 A	4.200.1007.00	VKHB 2050	75,987/131,975*39,000	2,080
CRF-218248/218210 A	4.200.1006.00	VKHB 2029	89,975/146,975*40,000	2,515

CRAFT number	OEM code	SKF code	Dimensions, mm	Weight, kg
BPW				

CRF-42.098033	09.801.02.33.0 09.801.02.72.0	VKBA 5521 VKBA 2421	50,000/110,000*42,250 80,000/130,000*37,000	5,110
CRF-42.098034	09.801.02.34.0 09.801.06.89.0	VKBA 5522 VKBA 2422	90,000/150,000*45,000 65,000/120,000*41,000	6,640
CRF-30204 A	02.6401.20.00		20,000/47,000*15,250	0,133
CRF-30205 A	02.6401.25.00	VKHB 2189	25,000/52,000*16,250	0,157
CRF-30206 A	02.6401.30.00		30,000/62,000*17,250	0,240
CRF-30207 A	02.6401.35.00		35,000/72,000*18,250	0,341
CRF-30313 A	02.6402.65.00	VKHB 2304	65,000/140,000*36,000	2,330
CRF-32219 A	02.6405.95.00 02.6410.28.00	VKHB 2031	95,000/170,000*45,500	3,970
CRF-32222 A	02.6410.26.00		110,000/200,000*56,000	6,900
CRF-32309 A	02.6406.45.00	VKHB 2004	45,000/100,000*38,250	1,470
CRF-32310 A	02.6410.25.00 02.6406.50.00	VKHB 2070	50,000/110,000*42,250	1,800
CRF-32314 A	02.6406.70.00 02.6410.27.00	VKHB 2072	70,000/150,000*54,000	4,090
CRF-33116 A	02.6410.24.00 02.6408.80.00	VKHB 2326	80,000/130,000*37,000	1,900
CRF-33118 A	02.6408.90.00 02.6408.92.00 02.6410.23.00	VKHB 2331	90,000/150,000*45,000	3,130
CRF-33208 A	02.6407.40.00	VKHB 2065	40,000/80,000*32,000	0,716
CRF-33209 A	02.6407.45.01	VKHB 2067	45,000/85,000*32,000	0,820
CRF-33213 A	02.6407.65.00 02.6407.67.00 02.6410.22.00	VKHB 2051	65,000/120,000*41,000	1,910
CRF-33215 A	02.6407.75.00 02.6410.29.00 02.6408.29.00	VKHB 2028	75,000/130,000*41,000	2,270
CRF-33217 A	02.6407.85.00	VKHB 2225	85,000/150,000*49,000	3,700

CRAFT number	OEM code	SKF code	Dimensions, mm	Weight, kg
BLOCK HUB BEARINGS				

CRF-41.03628 DAF / XF95	1697346		69,800/120,000*50,000 70,000/125,000*51,650	4,150
CRF-41.03650 SAF	3.200.2001.51 3.434.3650.00 4.200.2001.00 4.200.2001.01	VKBA 5549	82,000/195,300*110,000	14,800
CRF-41.05052 DAF / XF95 / XF105	1812161 1818003		100,000/148,000*135,000	5,700
CRF-41.05923 DAF / XF95 / XF105	1818004		69,800/125,000*57,000 70,000/125,000*57,000	4,700
CRF-41.19305 MAN / MB	81.93420.0354 81.93420.0344 014 981 9905 014 981 9305 014 981 5105 017 981 5005 016 981 2805	VKBA 5412 VKBA 5552	82,000/140,000*115,000	6,450
CRF-41.24482 SCANIA	1413785 1439070 1443078 1476945 1724482 1868087	VKBA 5314	68,000/127,000*115,000	6,257
CRF-41.39770 RENAULT / RVI	50 104 36014 50 104 39770 504189654		70,000/194,000*112,000	10,700
CRF-41.67828 VOLVO	21036050 20484350 20967828	VKBA 5423	93,800/148,000*135,000	4,563
CRF-41.67830 VOLVO / RENAULT / RVI	20518617 20967830 7420518617 7421021381		58,000/110,000*115,000	4,500
CRF-41.67831 VOLVO	20967831		68,000/125,000*115,000	4,773
CRF-41.83074 IVECO / DAF	1905487 2996882 7183074 7183075 7189648 7189050 7179751 1400291 1408086	VKBA 5397	90,000/160,000*126,000	10,208
CRF-41.93288 MAN	81.93420.0330 81.93420.0288 81.93420.0349	VKBA 5377	70,000/196,000*130,000	12,618
CRF-41.93420 MAN	81.93420.0320 81.93420.0342 81.93420.0376 81.93420.6097	VKBA 5408	105,000/160,000*140,000	6,968

CRAFT

hub units is the product of high technologies and innovative decisions



SAF



DAF



DAF



VOLVO



VOLVO



DAF



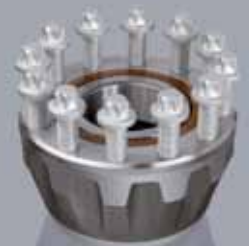
IVECO
RVI



SCANIA

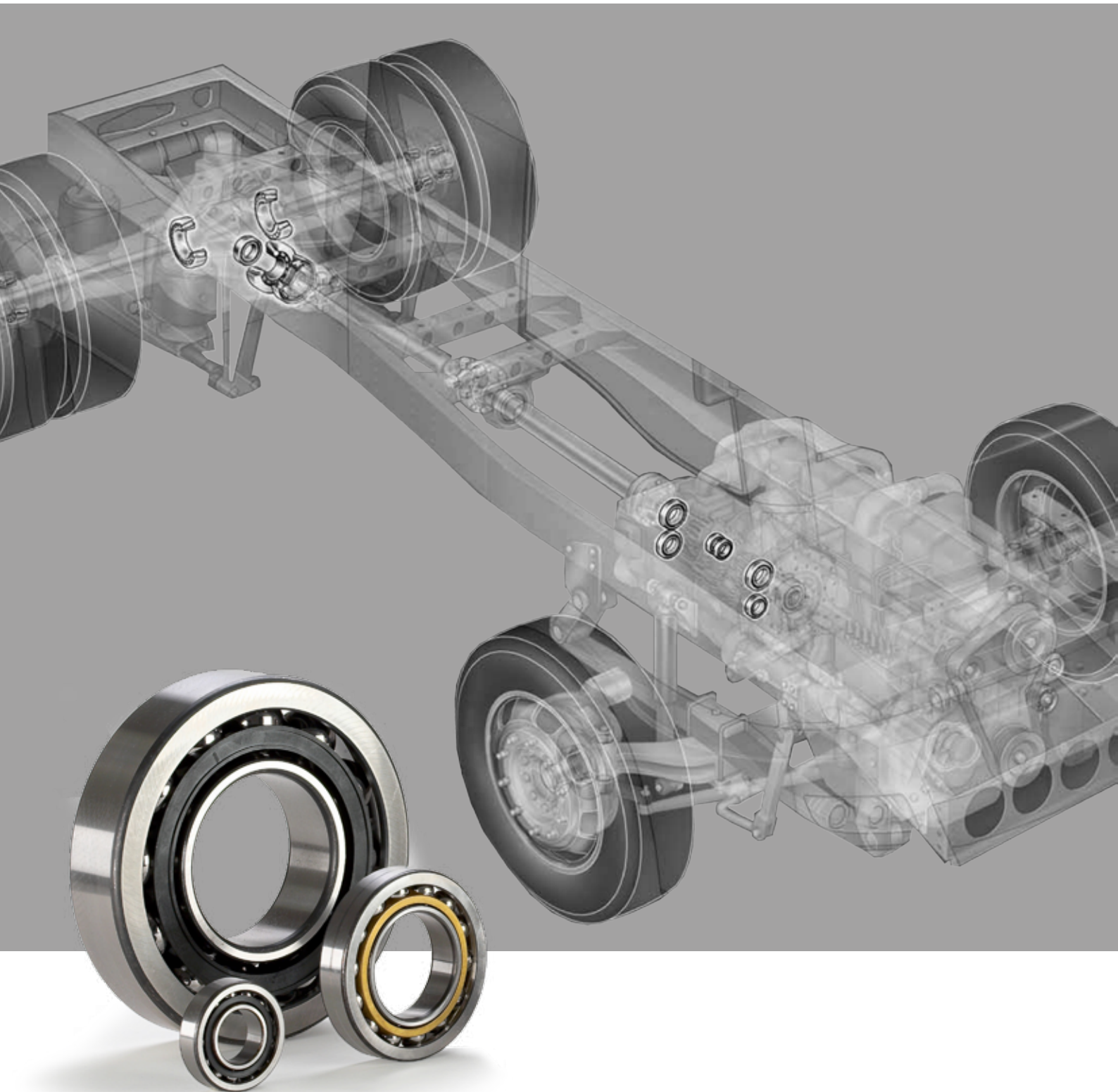


MERCEDES



SAF





**UNIT AND TRANSMISSION BEARINGS FOR COMMERCIAL TRANSPORT
PRODUCED IN EUROPE**

CRAFT number	OEM code	SKF code	Dimensions, mm	Weight, kg
VOLVO				

CRF-30207 A	11042	VKT 8605	35,000/72,000*18,250	0,341
CRF-30208 A	183232	VKT 8647	40,000/80,000*19,750	0,420
CRF-30214 A	11071	VKT 8632	70,000/125,000*26,250	1,220
CRF-30217 A	1652119 18459	VKT 8757	85,000/150,000*30,500	2,100
CRF-32017 A	184623	VKT 8756	85,000/130,000*29,000	1,300
CRF-32020 A	184625	VKT 8749	100,000/150,000*32,000	1,930
CRF-32209 A	11137 7011137 7019553	VKT 8470	45,000/85,000*24,750	0,576
CRF-32210 A	183765 7011099	VKT 8835	50,000/90,000*24,750	0,644
CRF-32212 A	1652099	VKT 8690	60,000/110,000*29,750	1,200
CRF-32217 A	1524857	VKT 8487	85,000/150,000*38,500	2,500
CRF-32309 A	1194652	VKT 8948	45,000/100,000*38,250	1,470
CRF-32310 A	11062	VKT 8486	50,000/110,000*42,250	1,800
CRF-33013 A	183766	VKT 8606	65,000/100,000*27,000	0,770
CRF-33015 A	183667 183767	VKT 8518	75,000/115,000*31,000	1,150
CRF-33018 A	183768	VKT 8798	90,000/140,000*39,000	2,250
CRF-33110 A	1654323	VKT 8615	50,000/85,000*26,000	0,600
CRF-33115 A	184678	VKT 8863	75,000/125,000*37,000	1,800
CRF-33208 A	1652127 184679	VKT 8603	40,000/80,000*32,000	0,716
CRF-33212 A	1652563	VKT 8648	60,000/110,000*38,000	1,600
CRF-33214 A	1654326	VKT 8649	70,000/125,000*41,000	2,170
CRF-39580/39520 A	20428192 8151820"	VKT 8608	57,150/112,712*30,162	1,361
CRF-594/592 A	181298 + 181128	VKT 8624	95,250/152,400*39,688	2,540
6203 2RSA	3544565		17,000/40,000*12,000	0,066
6205 2RSA	181335	VKT 8673	25,000/52,000*15,000	0,125
6304 2RSA	181876		20,000/52,000*15,000	0,148
6306 2RSA	1652989 243866 1652986		30,000/72,000*19,000	0,348

CRAFT number	OEM code	SKF code	Dimensions, mm	Weight, kg
SCANIA				

CRF-30217 A	174717	VKT 8757	85,000/150,000*30,500	2,100
CRF-31311 A	14144	VKT 8759	55,000/120,000*31,500	1,580
CRF-31312 A	174716	VKT 8758	60,000/130,000*33,500	1,890
CRF-32020 A	1364630	VKT 8749	100,000/150,000*32,000	1,930
CRF-32309 A	1362149 14623	VKT 8948	45,000/100,000*38,250	1,470
CRF-33017 A	1364631	VKT 8622	85,000/130,000*36,000	1,740
CRF-33018 A	1309570	VKT 8798	90,000/140,000*39,000	2,250
CRF-33116 A	1301694	VKT 8501	80,000/130,000*37,000	1,900
CRF-33208 A	284843	VKT 8603	40,000/80,000*32,000	0,716
CRF-33212 A	345835	VKT 8648	60,000/110,000*38,000	1,600
6204 2RSA	1363775 1103031	VKT 8952	20,000/47,000*14,000	0,106
6205 2RSA	228836	VKT 8673	25,000/52,000*15,000	0,125
6305 2RSA	1313606		25,000/62,000*17,000	0,232
6306 2RSA	209722		30,000/72,000*19,000	0,348

CRAFT number	OEM code	SKF code	Dimensions, mm	Weight, kg
IVECO				

CRF-30217 A	1109968	VKT 8757	85,000/150,000*30,500	2,100
CRF-30309 A	1109981	VKT 8812	45,000/100,000*27,250	0,940
CRF-32017 A	60115335	VKT 8756	85,000/130,000*29,000	1,300
CRF-32018 A	7162944	VKT 8869	90,000/140,000*32,000	1,780
CRF-32024 A	1102860 1103360	VKT 8947	120,000/180,000*38,000	3,400
CRF-32209 A	9985454	VKT 8470	45,000/85,000*24,750	0,576
CRF-32210 A	26800160	VKT 8835	50,000/90,000*24,750	0,644
CRF-32212 A	26800180	VKT 8690	60,000/110,000*29,750	1,200
CRF-32309 A	1110018 1110019	VKT 8948	45,000/100,000*38,250	1,470
CRF-32310 A	1110020 26800600	VKT 8486	50,000/110,000*42,250	1,800
CRF-33020 A	1905027	VKT 8472	100,000/150,000*39,000	2,390
CRF-33021 A	41800341	VKT 8950	105,000/160,000*43,000	3,050
CRF-33108 A	1905252	VKT 8466	40,000/75,000*26,000	0,510
CRF-33113 A	4690299	VKT 8865	65,000/110,000*34,000	1,300
CRF-33208 A	1905261 8582739	VKT 8603	40,000/80,000*32,000	0,716
CRF-33211 A	42492259 7165686	VKT 8520	55,000/100,000*35,000	1,200
CRF-33212 A	7160361	VKT 8648	60,000/110,000*38,000	1,600
6203 2RSA	1908902		17,000/40,000*12,000	0,066
6204 2RSA	1905010	VKT 8952	20,000/47,000*14,000	0,106

CRAFT number	OEM code	SKF code	Dimensions, mm	Weight, kg
MAN				

CRF-30204 A	06.32489.0015		20,000/47,000*15,250	0,133
CRF-30206 A	06.32489.0016	VKT 8404	30,000/62,000*17,250	0,240
CRF-30208 A	06.32489.0017	VKT 8647	40,000/80,000*19,750	0,420
CRF-30210 A	06.32489.0048	VKT 8946	50,000/90,000*21,750	0,566
CRF-30214 A	06.32489.0018	VKT 8632	70,000/125,000*26,250	1,220
CRF-30216 A	06.32489.0020		80,000/140,000*28,250	1,600
CRF-30309 A	06.32489.0025	VKT 8812	45,000/100,000*27,250	0,940
CRF-30311 A	06.32489.0026		55,000/120,000*31,500	1,670
CRF-30312 A	06.32489.0113		60,000/130,000*33,500	1,900
CRF-30313 A	06.32489.0053		65,000/140,000*36,000	2,330
CRF-31310 A	06.32499.0025		50,000/110,000*29,250	1,230
CRF-31311 A	06.32499.0026	VKT 8759	55,000/120,000*31,500	1,580
CRF-31312 A	06.62499.0087	VKT 8758	60,000/130,000*33,500	1,890
CRF-31313 A	06.32499.0088		65,000/140,000*36,000	1,890
CRF-32017 A	06.32480.1200 06.32489.0060	VKT 8756	85,000/130,000*29,000	1,300
CRF-32018 A	06.32489.0051	VKT 8869	90,000/140,000*32,000	1,780
CRF-32020 A	06.32489.0119	VKT 8749	100,000/150,000*32,000	1,930
CRF-32024 A	06.32489.0063	VKT 8947	120,000/180,000*38,000	3,400
CRF-32206 A	06.32499.0066		30,000/62,000*21,250	0,280
CRF-32209 A	06.32499.0067	VKT 8470	45,000/85,000*24,750	0,576
CRF-32213 A	06.32499.0003		65,000/120,000*32,750	1,480
CRF-32217 A	06.32499.0007	VKT 8487	85,000/150,000*38,500	2,500
CRF-32218 A	06.32499.0008		90,000/160,000*42,500	3,270
CRF-32305 A	06.32490.2700		25,000/62,000*25,250	0,380
CRF-32309 A	06.32499.0013	VKT 8948	45,000/100,000*38,250	1,470
CRF-32310 A	06.32499.0016	VKT 8486	50,000/110,000*42,250	1,800
CRF-32311 A	06.32499.0017		55,000/120,000*45,500	2,290
CRF-33015 A	06.32499.0058	VKT 8518	75,000/115,000*31,000	1,150
CRF-33017 A	06.32499.0122	VKT 8622	85,000/130,000*36,000	1,740
CRF-33021 A	06.32499.0096	VKT 8950	105,000/160,000*43,000	3,050
CRF-33112 A	06.32499.0195		60,000/100,000*30,000	0,940
CRF-33113 A	06.32499.0039 06.32499.0108	VKT 8865	65,000/110,000*34,000	1,300
CRF-33115 A	06.32499.0040 06.32499.0131	VKT 8863	75,000/125,000*37,000	1,800
CRF-33208 A	06.32489.0002 81.93420.0077	VKT 8603	40,000/80,000*32,000	0,716
CRF-33211 A	06.32489.0103	VKT 8520	55,000/100,000*35,000	1,200

CRAFT number	OEM code	SKF code	Dimensions, mm	Weight, kg
MAN				

CRF-33212 A	06.32489.0045 06.56289.0045 06.32489.0005	VKT 8648	60,000/110,000*38,000	1,600
CRF-33214 A	06.32489.0106	VKT 8649	70,000/125,000*41,000	2,170
608 2RSA	06.31460.9100		8,000/22,000*7,000	0,012
6003 2RSA	06.31440.7000 06.31410.4300		17,000/35,000*10,000	0,037
6200 2RSA	06.31450.4300		10,000/30,000*9,000	0,032
6201 2RSA	06.31410.8900		12,000/32,000*10,000	0,037
6202 2RSA	06.31410.9000		15,000/35,000*11,000	0,045
6203 2RSA	06.31410.9102 51.93410.0110 81.93410.0101		17,000/40,000*12,000	0,066
6204 2RSA	06.31419.0026 06.31450.6200 06.31450.1700	VKT 8952	20,000/47,000*14,000	0,106
6205 2RSA	06.31450.1800 06.31450.4800	VKT 8673	25,000/52,000*15,000	0,125
6206 2RSA	06.31450.1900 06.31450.6400	VKT 8994	30,000/62,000*16,000	0,192
6303 2RSA	06.31460.4302 06.31460.0402 06.31420.3302		17,000/47,000*14,000	0,111
6304 2RSA	06.31460.3102		20,000/52,000*15,000	0,148
6305 2RSA	06.31420.3602 06.31420.3603 51.93410.0100 51.93410.0018 51.93410.0030 51.93410.0134 51.93410.0101 51.93410.0099 51.93410.0029 06.31469.0001 51.93410.0100		25,000/62,000*17,000	0,232
6306 2RSA	06.31420.3803 06.31420.3822		30,000/72,000*19,000	0,348

CRAFT number	OEM code	SKF code	Dimensions, mm	Weight, kg
MERCEDES BENZ (MB)				

CRF-30309 A	006 981 4205	VKT 8812	45,000/100,000*27,250	0,940
CRF-32017 A	005 981 1405 005 981 1505 015 981 0005 015 981 0805	VKT 8756	85,000/130,000*29,000	1,300
CRF-32018 A	004 981 1705	VKT 8869	90,000/140,000*32,000	1,780
CRF-32020 A	001 981 6405 001 981 7205 004 981 7405 006 981 0405	VKT 8749	100,000/150,000*32,000	1,930
CRF-32210 A	001 981 8905	VKT 8835	50,000/90,000*24,750	0,644
CRF-32310 A	001 981 2905 001 981 7405 001 981 7605 006 981 9905	VKT 8486	50,000/110,000*42,250	1,800
CRF-33017 A	006 981 9705 007 981 4905	VKT 8622	85,000/130,000*36,000	1,740
CRF-33020 A	005 981 8405 005 981 8505 006 981 0105	VKT 8472	100,000/150,000*39,000	2,390
CRF-33021 A	000 980 9702 003 981 2605 003 981 2805 005 981 4905	VKT 8950	105,000/160,000*43,000	3,050
CRF-33113 A	003 981 4105	VKT 8865	65,000/110,000*34,000	1,300
CRF-33115 A	003 981 3205	VKT 8863	75,000/125,000*37,000	1,800
CRF-33116 A	012 981 4005	VKT 8501	80,000/130,000*37,000	1,900
CRF-33208 A	003 981 3905 003 981 7205 004 981 6805 006 981 6205 008 981 7505	VKT 8603	40,000/80,000*32,000	0,716
CRF-33211 A	004 981 6405 004 981 6505 004 981 6705	VKT 8520	55,000/100,000*35,000	1,200
CRF-33214 A	003 981 5205 003 981 5605 003 981 8505 006 981 5205	VKT 8649	70,000/125,000*41,000	2,170
6201 2RSA	005 981 3425 007 981 6725		12,000/32,000*10,000	0,037
6203 2RSA	007 981 7325		17,000/40,000*12,000	0,066
6204 2RSA	000625006204	VKT 8952	20,000/47,000*14,000	0,106
6205 2RSA	906 981 0325	VKT 8673	25,000/52,000*15,000	0,125
6306 2RSA	000625900183		30,000/72,000*19,000	0,348

CRAFT number	OEM code	SKF code	Dimensions, mm	Weight, kg
RENAULT/RVI				

CRF-30206 A	773020600 7703090203	VKT 8404	30,000/62,000*17,250	0,240
CRF-30208 A	773020800	VKT 8647	40,000/80,000*19,750	0,420
CRF-32017 A	002 333 6246 50 104 43903	VKT 8756	85,000/130,000*29,000	1,300
CRF-32018 A	50 002 54793	VKT 8869	90,000/140,000*32,000	1,780
CRF-32210 A	50 007 88063 50 007 88202	VKT 8835	50,000/90,000*24,750	0,644
CRF-32309 A	773230900	VKT 8948	45,000/100,000*38,250	1,470
CRF-33013 A	50 003 50189 50 006 85836 55 160 11446	VKT 8606	65,000/100,000*27,000	0,770
CRF-33015 A	50 003 50029 50 006 85838 55 160 10498	VKT 8518	75,000/115,000*31,000	1,150
CRF-33018 A	50 003 50020 50 006 85839 55 160 14319	VKT 8798	90,000/140,000*39,000	2,250
CRF-33108 A	50 003 90902 50 030 90902 50 101 36759	VKT 8466	40,000/75,000*26,000	0,510
CRF-33208 A	50 005 46524 50 101 36762 50 104 39056	VKT 8603	40,000/80,000*32,000	0,716
CRF-33211 A	50 005 98486 50 007 86298	VKT 8520	55,000/100,000*35,000	1,200
CRF-33212 A	002 333 6081	VKT 8648	60,000/110,000*38,000	1,600
CRF-33214 A	50 004 70673 50 004 70862 50 101 36663	VKT 8649	70,000/125,000*41,000	2,170
6203 2RSA	7702037779		17,000/40,000*12,000	0,066
6204 2RSA	770620400 5003090063	VKT 8952	20,000/47,000*14,000	0,106
6306 2RSA	002 341 6316 5010438410		30,000/72,000*19,000	0,348

<i>CRAFT</i> number	OEM code	SKF code	Dimensions, mm	Weight, kg
ZF				
CRF-30207 A	0635 371 005	VKT 8605	35,000/72,000*18,250	0,341
CRF-30208 A	0635 371 020	VKT 8647	40,000/80,000*19,750	0,420
CRF-30214 A	0635 371 011	VKT 8632	70,000/125,000*26,250	1,220
CRF-30217 A	0635 371 014	VKT 8757	85,000/150,000*30,500	2,100
CRF-30309 A	0635 372 007	VKT 8812	45,000/100,000*27,250	0,940
CRF-31311 A	0635 375 004	VKT 8759	55,000/120,000*31,500	1,580
CRF-31312 A	0635 375 006	VKT 8758	60,000/130,000*33,500	1,890
CRF-32017 A	0635 370 014	VKT 8756	85,000/130,000*29,000	1,300
CRF-32018 A	0635 370 034	VKT 8869	90,000/140,000*32,000	1,780
CRF-32020 A	0635 370 013	VKT 8749	100,000/150,000*32,000	1,930
CRF-32021 A	0635 370 034	VKT 8871	105,000/160,000*35,000	2,386
CRF-32212 A	0635 373 008	VKT 8690	60,000/110,000*29,750	1,200
CRF-32309 A	0635 374 006	VKT 8948	45,000/100,000*38,250	1,470
CRF-33013 A	0635 376 019	VKT 8606	65,000/100,000*27,000	0,770
CRF-33021 A	0635 376 003	VKT 8950	105,000/160,000*43,000	3,050
CRF-33115 A	0635 376 005	VKT 8863	75,000/125,000*37,000	1,800
CRF-33208 A	0635 376 023	VKT 8603	40,000/80,000*32,000	0,716
CRF-33214 A	0735 371 465	VKT 8649	70,000/125,000*41,000	2,170
CRF-594/592 A	5822 303 003	VKT 8624	95,250/152,400*39,688	2,540
6205 2RSA	0635 332 194	VKT 8673	25,000/52,000*15,000	0,125

KAMAZ MAZ BELAZ PAZ LIAZ
URAL GAZ ZIL KRAZ UAZ



BEARINGS FOR COMMERCIAL TRANSPORT PRODUCED IN RUSSIA

CRAFT number	GOST	Usage	OEM code
GAZ			

CRF-30207 A	6-7207 A	Hub bearing	
CRF-30208 A	6-7208 A1	Gear box	
CRF-30214 A	6-7214 AV	Back -axle	
CRF-30304 A	6-7304 A	Hub bearing	
CRF-30305 A	6-7305 AШ	Front wheels hubs, external support	7305000-919
CRF-30307 A	6-7307 A1	Front wheels hubs, internal support	7307000-919
CRF-30308 A	6-7308 A	Hub bearing	
CRF-30309 A	6-7309 A1	Transfer gear-box	
CRF-32209 A	6-7509 A	Back wheels hubs, external support	7509000-909
CRF-32210 A	6Y-7510 AШ	Back wheels hubs, internal support/ back-axle differential gear	7510000-909
CRF-32215 A	6-7515 A	Back wheel hub bearing, internal	
CRF-32305 A	6-7605 A	Front wheel hub bearing, external	7605000-909
CRF-32306 A	6-7606 A	Front wheel hub bearing, external	7606000-909 51-3103025-B
CRF-32307 A	6-7607 A	Front wheel hub bearing, external	7607000-919
CRF-32309 A	6-7609 AK	Front wheel hub bearing, internal	7609000-909
CRF-32310 A	6-7610 A	Front wheel hub bearing, internal	
6201 2RSA	180201 A	Engine	1802010-909
6203 2RSA	180203 A	Engine / Pickup pump	1802030-909
6204 2RSA	180204 A	Steering gear	
6205 2RSA	180205 A	Gear box	
6206 2RSA	180206 A	Drive shaft, transitional support	1802060-909
6303 2RSA	180303 A	Engine / Fan	
6306 2RSA	180306 A	Power selection gear	

<i>CRAFT</i> number	GOST	Usage	OEM code
ZIL			

CRF-30204 A	6-7204 A	High pressure fuel pump	
CRF-30214 A	6-7214 AV	Back hub	
CRF-30215 A	6-7215 A1	Differential gear bearing	
CRF-30308 A	7308 A	Drive shaft	
CRF-30311 A	6-7311 A	Front hub bearing	
CRF-32209 A	6-7509 A	Hub bearing	
CRF-32212 A	6-7512 A	Hub bearing, front axle	
CRF-32215 A	6-7515 A1	Wheels hub	
CRF-32216 A	6-7516 A1	Back axle differential gear bearing	
CRF-32217 A	6-7517 A	Back wheel hub, internal	
CRF-32307 A	7607 A	Hub bearing	
CRF-32308 A	6-7608 A1K	Front wheel hub, outside	
CRF-32309 A	6-7609 AK	Front wheel hub	
CRF-32310 A	6-7610 A	Conic gear wheel	
CRF-32311 A	6-7611 AK	Main drive transitional shaft/ wheels hubs	
CRF-32313 A	6-7613 A1	Conic gear wheel, internal	
CRF-7815 A	6-7815 A	Back wheel hub, external	
CRF-594/592 A	594/592 A	Hub bearing	
6201 2RSA	180201 A	Engine: fuel system, cooling system	
6203 2RSA	180203 A	Engine: fuel system	
6204 2RSA	180204 A	Engine: cooling system	
6205 2RSA	180205 A	Engine, fuel system / Gear box	1802050-909
6305 2RSA	180305 A	Steering gear	

CRAFT number	GOST	Usage	OEM code
KAMAZ			

CRF-30204 A	6-7204 A	Engine: fuel system	
CRF-30211 A	6-7211 A1	Wheels hubs	
CRF-30212 A	6-7212 A	Middle axle	
CRF-30214 A	6-7214 AY	Middle axle, back axle	
CRF-30216 A	6-7216 A	Back axle	
CRF-30217 A	6-7217 A	Middle axle	
CRF-30218 A	6-7218 A	Wheels hubs	
CRF-30219 A	7219 A	Back axle	
CRF-30311 A	6-7311 A	Hub bearing	
CRF-30312 A	6-7312 A	Hub bearing	
CRF-30315 A	6-7315 A	Hub bearing	
CRF-31310 A	6-27310 HA	Middle axle, back axle	
CRF-31313 A	6-27313 A1	Middle axle	
CRF-32017 A	6-2007117 A	Wheels hubs	
CRF-32018 A	6-2007118 A	Wheels hubs	
CRF-32216 A	6-7516 A1	Middle axle, back axle	
CRF-32217 A	6-7517 A	Wheels hubs	
CRF-32218 A	6-7518 A	Wheels hubs	
CRF-32219 A	7519 A	Wheels hubs	
CRF-32220 A	6-7520 A	Wheels hubs	
CRF-32309 A	6-7609 AK	Hub bearing	
CRF-32310 A	6-7610 A	Wheels hubs	485431-П
CRF-32312 A	6-7612 A	Wheels hubs	7612-909
CRF-32313 A	6-7613 A1	Wheels hubs	
CRF-32314 A	7614 A	Wheels hubs	
CRF-32315 A	6-7615 A	Middle axle, back axle	
CRF-33210 A	6-3007210 A	Wheels hubs	
CRF-7815 A	6-7815 A	Wheels hubs	
6201 2RSA	180201 A	Engine: fuel system	
6203 2RSA	180203 A	Engine: fuel system	
6204 2RSA	180204 A	Engine: cooling system	
6205 2RSA	180205 A	Gear box / Steering gear	
6305 2RSA	180305 A	Engine: cooling system, steering gear	

CRAFT number	GOST	Usage	OEM code
KRAZ			

CRF-30204 A	6-7204 A	Engine: fuel system	
CRF-30218 A	6-7218 A	Back axle, middle axle	
CRF-30219 A	7219 A	Back axle	
CRF-30307 A	7307 A	Hub bearing	
CRF-30312 A	6-7312 A	Front axle	
CRF-31313 A	6-27313 A1	Back axle, middle axle, front axle	
CRF-32218 A	6-7518 A	Back axle, middle axle, front axle	
CRF-32219 A	7519 A	Front axle	
CRF-32310 A	6-7610 A	Wheels hubs	
CRF-32311 A	6-7611 AK	Front axle	
CRF-32312 A	6-7612 A	Wheels hubs	
CRF-32313 A	6-7613 A1	Wheels hubs	
CRF-32314 A	6-7614 A	Wheels hubs	
6200 2RSA	180200 A	Engine, adjuster transmission cylinder	
6201 2RSA	180201 A	Engine, rack drive shaft nozzle burner pump	
6202 2RSA	180202 A	Generator, armature, back support	
6203 2RSA	180203 A	Engine, cooling system	
6205 2RSA	180205 A	Engine, fan pulley, back support	
6303 2RSA	180303 A	Generator, armature, front support	
6304 2RSA	180304 A	Engine / Gear box	
6305 2RSA	180305 A	Engine	

CRAFT number	GOST	Usage	OEM code
LiAZ			

CRF-30204 A	6-7204 A	Engine, fuel system	
CRF-30206 A	6-7206 A	Steering gear	
CRF-30207 A	6-7207 A	Steering gear	
CRF-30216 A	6-7216 A	Back axle	
CRF-30220 A	7220 A	Hub bearing	
CRF-30312 A	7312 A	Hub bearing	7312000-909
CRF-30314 A	6-7314 A	Back axle	
CRF-32212 A	6-7512 A1	Wheels hubs	
CRF-32215 A	6-7515 A1	Wheels hubs	
CRF-32309 A	7609 A	Hub bearing	
CRF-32310 A	6-7610 A	Wheels hubs	
CRF-32313 A	6-7613 A	Wheels hubs	
CRF-32315 A	6-7615 A	Back axle	
CRF-33212 A	3007212 A	Wheels hubs	
CRF-33215 A	3007215 A	Wheels hubs	
CRF-7815 A	6-7815 A	Front wheel hub	

6200 2RSA	180200 A	Passenger door	
6201 2RSA	180201 A	Engine, fuel system	
6202 2RSA	180202 A	Electronic equipment	180202-909
6203 2RSA	180203 A	Engine, fuel system	
6204 2RSA	180204 A	Engine	
6205 2RSA	180205 A	Engine, cooling system	180205-909
6206 2RSA	180206 A	Engine, cooling system	
6304 2RSA	180304 A	Engine, cooling system	
6305 2RSA	180305 A	Steering gear / Engine	

CRAFT number	GOST	Usage	OEM code
MAZ			

CRF-30204 A	6-7204 A	Engine, fuel system	
CRF-30205 A	6-7205 A	Engine, fuel system	
CRF-30212 A	6-7212 A	Front and back axles distributing box drive	
CRF-30215 A	7215 K1A	Front axle	
CRF-30217 A	7217 A	Hub bearing	
CRF-30220 A	6-7220 A1	Front axle hub	
CRF-30311 A	6-7311 A	Distributing box	
CRF-30312 A	6-7312 A	Hoist	
CRF-30313 A	7313 A	Hub bearing	
CRF-30314 A	6-7314 A	Distributing box, middle axle reduction gear	
CRF-31312 A	27312 A	Back axle	
CRF-31313 A	6-27313 A1	Back axle	
CRF-32013 A	6-2007113 A	Middle axle back shaft	
CRF-32018 A	2007118 A	Hub bearing	
CRF-32020 A	2007120 A	Back axle	
CRF-32024 A	6-2007124 A	Front axle hub	
CRF-32208 A	7508 A	Steering gear	
CRF-32212 A	6-7512 A	Hub bearing	
CRF-32213 A	6-7513 A1	Back axle drive	
CRF-32215 A	6-7515 A1	Hoist / Back axle	
CRF-32216 A	6-7516 A	Middle axle reduction gear	
CRF-32218 A	6-7518 A	Between wheels driving axles differential gear	
CRF-32220 A	6-7520 A	Back axle hub	
CRF-32222 A	6-7522 A	Hub bearing	
CRF-32224 A	6-7524 A	Wheels hubs	
CRF-32310 A	6-7610 A	Front axle hub	
CRF-32312 A	6-7612 A	Front wheels hubs	
CRF-32314 A	6-7614 A	Front axle hub / Distributing box	
CRF-32315 A	6-7615 A	Front axle hub	
CRF-32316 A	7616 A	Differential gear bearing	
CRF-33018 A	3007118 A	Hub bearing	
CRF-33116 A	3007716 A	Hub bearing	
CRF-33117 A	3007717 A	Hub bearing	
CRF-33213 A	3007213 A	Hub bearing	
6200 2RSA	180200 A	Engine, fuel system	
6201 2RSA	180201 A	Detecting device	

CRAFT number	GOST	Usage	OEM code
PAZ			

CRF-30204 A	6-7204 A	Engine, cooling system	
CRF-32215 A	6-7515 A1	Back wheels hubs, internal support	7515000-909
CRF-32216 A	6-7516 A1	Differential gear box	7517000-909
CRF-32217 A	6-7517 A	Back wheel hub, internal	480000- 542700000 485427-П
CRF-32308 A	6-7608 A1	Wheels hubs	7608000-909
CRF-32310 A	6-7610 A	Front wheel hub, external	7610000-909
CRF-32311 A	6-7611 AK	Front wheels hubs, internal support	7611000-909
CRF-32313 A	6-7613 A1	Front wheel hub, internal	7613000-909
CRF-7815 A	6-7815 A	Back wheel hub, external	
6203 2RSA	180203 A	Gear box / Tension roller / Engine	
6206 2RSA	180206 A	Engine / Steering gear	

CRAFT number	GOST	Usage	OEM code
URAL			

CRF-30204 A	6-7204 A	Engine	
CRF-30209 A	6-7209 A	Steering gear	
CRF-30216 A	6-7216 A	Hoist	
CRF-30310 A	6-7310 A1	Main drive reduction gear / Axle	
CRF-30311 A	6-7311 A	Axle	
CRF-30312 A	6-7312 A	Distributing box / Hoist	
CRF-30315 A	6-7315 A	Axle	
CRF-32018 A	2007118 A	Middle and back axles	
CRF-32024 A	2007124 A	Wheels hubs	
CRF-32215 A	6-7515 A	Main drive reduction gear / Shaft front support	
CRF-32216 A	6-7516 A1	Axle / Main drive reduction gear	
CRF-32306 A	7606 A	Electronic equipment	
CRF-32310 A	6-7610 A	Distributing box	
6201 2RSA	180201 A	Engine	
6203 2RSA	180203 A	Engine	
6204 2RSA	180204 A	Engine	
6205 2RSA	180205 A	Gear box	
6206 2RSA	180206 A	Power selection box	
6305 2RSA	180305 A	Engine	



HUB BEARINGS

repairing sets and hub units for minibuses and wagons made in Europe.

CRAFT number	OEM code	SKF code	Dimensions, mm	Weight, kg
REPAIRING SETS FOR MINIBUSES				

CRF-43.25736 IVECO	99825736 93824579	VKBA 3551	40,000/73,000*55,000	0,770
CRF-43.80066 IVECO	7180066	VKBA 3552	55,000/90,000*60,000	0,960
CRF-43.80498 VW	7D0498625	VKBA 3406	45,000/80,000*45,000	1,510
CRF-43.80959 FORD	634049 5015650 634048	VKBA 959	50,800/85,000*17,463	1,060
CRF-43.81598 VW	701598625B		45,000/80,000*45,000	0,580
CRF-43.83406 VW	701498625	VKBA 3406	45,000/80,000*45,000	0,720
CRF-43.83434 MB / VW	604 330 0025 611 330 0825 2D0498625	VKBA 3434	25,000/52,000*22,000	0,573
CRF-43.83435 MB / VW	A0179814605 902 350 0068 902 350 1410 2D0501319	VKBA 3435	49,000/84,000*48,000	1,300
CRF-43.83475 MB / VW	A0079810405 A0079815505 2D0501319A 2D0501319B	VKBA 3475	50,000/90,000*24,750	0,420
CRF-43.83640 CITROEN / PEUGEOT / FIAT	332662 1346651080 1328046080 1347527080	VKBA 3640	49,000/84,000*48,000	1,000
CRF-43.83641 CITROEN / PEUGEOT / FIAT	332669 332663 1346650080 1328054080	VKBA 3641	55,000/90,000*60,000	1,620
CRF-43.83642 CITROEN / PEUGEOT / FIAT	373032 1328029080 71729126 71753818	VKBA 3642	42,000/75,000*60,000	1,380
CRF-43.83646 VW	7H0401611E 7H0401611H 7L0498611 7H0498611 7H0401611D	VKBA 3646	30,000/85,000*45,000	3,790
CRF-43.83655 FORD	4519424 1318154 1318151	VKBA 3655	45,000/189,000*93,000	5,740
CRF-43.86571 CITROEN / PEUGEOT / FIAT	370182 51754942	VKBA 6571	42,000/143,000*103,000	4,670
CRF-43.86572 CITROEN / PEUGEOT / FIAT	517549410 51754941	VKBA 6572	42,000/160,000*103,000	4,490
CRF-43.86702 VW	701598625 701598625A	VKBA 3406	45,000/80,000*45,000	0,885



CRF-43.25736



CRF-43.80066



CRF-43.86702



CRF-43.80498



CRF-43.80959



CRF-43.81598



CRF-43.83406



CRF-43.83434



CRF-43.83435



CRF-43.83475



CRF-43.83640



CRF-43.83641



CRF-43.83642



CRF-43.83646



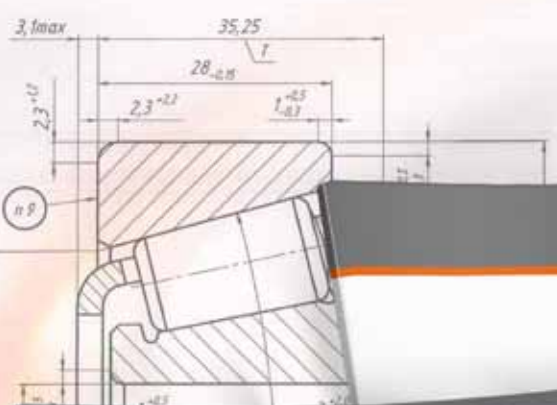
CRF-43.83655



CRF-43.86571



CRF-43.86572



CRAFT BEARINGS

ПОДШИПНИКИ СТУПИЦ 2013
... ДЛЯ КОММЕРЧЕСКОГО ТРАНСПОРТА

TRUCK BEARINGS 2013
... FOR A COMMERCIAL TRANSPORT

TYPE	CRAFT CODE	SKF CODE
6	7507 A	30307
6	7508 A	30308
6	7509 A	30309
6	7510 A	30310
6	7511 A	30311
6	7512 A	30312
6	7513 A	30313
6	7514 A	30314
6	7515 A	30315
6	7516 A	30316
6	7517 A	30317
6	7518 A	30318
6	7519 A	30319
6	7520 A	30320
6	7521 A	30321
6	7522 A	30322
6	7523 A	30323
6	7524 A	30324
6	7525 A	30325
6	7526 A	30326
6	7527 A	30327
6	7528 A	30328
6	7529 A	30329
6	7530 A	30330
6	7531 A	30331
6	7532 A	30332
6	7533 A	30333
6	7534 A	30334
6	7535 A	30335
6	7536 A	30336
6	7537 A	30337
6	7538 A	30338
6	7539 A	30339
6	7540 A	30340



CRAFT BEARINGS COMPANY'S RANGE

<i>CRAFT</i> number	SKF code	GOST	Dimensions, mm	Weight, kg
---------------------	----------	------	----------------	------------

BEARINGS

CRF-30204 A		7204 A	20,000/47,000*15,250	0,133
CRF-30205 A	VKHB 2189	7205 A	25,000/52,000*16,250	0,157
CRF-30206 A		7206 A	30,000/62,000*17,250	0,240
CRF-30207 A		7207 A	35,000/72,000*18,250	0,341
CRF-30208 A		7208 A	40,000/80,000*19,750	0,420
CRF-30209 A	VKHB 2296	7209 A	45,000/85,000*20,750	0,499
CRF-30210 A	VKHB 2167	7210 A	50,000/90,000*21,750	0,566
CRF-30211 A		7211 A	55,000/100,000*22,750	0,731
CRF-30212 A		7212 A	60,000/110,000*23,750	0,860
CRF-30213 A		7213 A	65,000/120,000*24,750	1,170
CRF-30214 A		7214 A	70,000/125,000*26,250	1,220
CRF-30215 A	VKHB 2168	7215 A	75,000/130,000*27,250	1,340
CRF-30216 A	VKHB 2204	7216 A	80,000/140,000*28,250	1,600
CRF-30217 A	VKHB 2334	7217 A	85,000/150,000*30,500	2,100
CRF-30218 A	VKHB 2248	7218 A	90,000/160,000*32,500	2,630
CRF-30219 A		7219 A	95,000/170,000*34,500	3,170
CRF-30220 A	VKHB 2164	7220 A	100,000/180,000*37,000	3,780
CRF-30221 A	VKHB 2215	7221 A	105,000/190,000*39,000	4,510
CRF-30304 A		7304 A	20,000/52,000*16,250	0,170
CRF-30305 A	VKHB 2262	7305 A	25,000/62,000*18,250	0,260
CRF-30307 A	VKHB 2202	7307 A	35,000/80,000*22,750	0,507
CRF-30308 A		7308 A	40,000/90,000*25,250	0,700
CRF-30309 A	VKHB 2201	7309 A	45,000/100,000*27,250	0,940
CRF-30310 A		7310 A	50,000/110,000*29,250	1,200
CRF-30311 A	VKHB 2198	7311 A	55,000/120,000*31,500	1,670
CRF-30312 A	VKHB 2283	7312 A	60,000/130,000*33,500	1,900
CRF-30313 A	VKHB 2304	7313 A	65,000/140,000*36,000	2,330
CRF-30314 A		7314 A	70,000/150,000*38,000	3,040
CRF-30315 A		7315 A	75,000/160,000*40,000	3,540
CRF-30316 A		7316 A	80,000/170,000*42,500	4,400
CRF-30318 A		7318 A	90,000/190,000*46,500	6,030
CRF-30319 A		7319 A	95,000/200,000*49,500	6,520
CRF-31310 A		6-27310 A	50,000/110,000*29,250	1,230
CRF-31311 A		6-27311 A	55,000/120,000*31,500	1,580
CRF-31312 A		6-27312 A	60,000/130,000*33,500	1,890
CRF-31313 A		6-27313 A	65,000/140,000*36,000	1,890
CRF-32010 A	VKHB 2191	2007110 A	50,000/80,000*20,000	0,370
CRF-32011 A	VKHB 2060	2007111 A	55,000/90,000*23,000	0,568

CRAFT number	SKF code	GOST	Dimensions, mm	Weight, kg
BEARINGS				

CRF-32013 A	VKHB 2199	2007113 A	65,000/100,000*23,000	0,646
CRF-32017 A	VKHB 2169	2007117 A	85,000/130,000*29,000	1,300
CRF-32018 A	VKHB 2170	2007118 A	90,000/140,000*32,000	1,780
CRF-32019 A	VKHB 2161	2007119 A	95,000/145,000*32,000	1,820
CRF-32020 A	VKHB 2306	2007120 A	100,000/150,000*32,000	1,930
CRF-32021 A	VKHB 2160	2007121 A	105,000/160,000*35,000	2,386
CRF-32024 A	VKHB 2216	2007124 A	120,000/180,000*38,000	3,400
CRF-32028 A		2007128 A	140,000/210,000*45,000	5,046
CRF-32206 A	VKHB 2016	7506 A	30,000/62,000*21,250	0,280
CRF-32207 A	VKHB 2018	7507 A	35,000/72,000*24,250	0,420
CRF-32208 A	VKHB 2020	7508 A	40,000/80,000*24,750	0,555
CRF-32209 A	VKHB 2015	7509 A	45,000/85,000*24,750	0,576
CRF-32210 A	VKHB 2017	7510 A	50,000/90,000*24,750	0,644
CRF-32211 A	VKHB 2019	7511 A	55,000/100,000*26,750	0,880
CRF-32212 A	VKHB 2347	7512 A	60,000/110,000*29,750	1,200
CRF-32213 A	VKHB 2288	7513 A	65,000/120,000*32,750	1,480
CRF-32214 A	VKHB 2284	7514 A	70,000/125,000*33,250	1,680
CRF-32215 A	VKHB 2033	7515 A	75,000/130,000*33,250	1,770
CRF-32216 A	VKHB 2026	7516 A	80,000/140,000*35,250	2,000
CRF-32217 A	VKHB 2080	7517 A	85,000/150,000*38,500	2,500
CRF-32218 A	VKHB 2030	7518 A	90,000/160,000*42,500	3,270
CRF-32219 A	VKHB 2031	7519 A	95,000/170,000*45,500	3,970
CRF-32220 A	VKHB 2297	7520 A	100,000/180,000*49,000	4,990
CRF-32221 A	VKHB 2212	7521 A	105,000/190,000*53,000	6,100
CRF-32222 A		7522 A	110,000/200,000*56,000	6,900
CRF-32224 A		7524 A	120,000/215,000*61,500	8,750
CRF-32305 A	VKHB 2294	7605 A	25,000/62,000*25,250	0,380
CRF-32306 A	VKHB 2007	7606 A	30,000/72,000*28,750	0,580
CRF-32308 A	VKHB 2001	7608 A	40,000/90,000*35,250	1,020
CRF-32309 A	VKHB 2004	7609 A	45,000/100,000*38,250	1,470
CRF-32310 A	VKHB 2070	7610 A	50,000/110,000*42,250	1,800
CRF-32311 A	VKHB 2002	7611 A	55,000/120,000*45,500	2,290
CRF-32312 A	VKHB 2003	7612 A	60,000/130,000*48,500	2,750
CRF-32313 A		7613 A	65,000/140,000*51,000	3,340
CRF-32314 A	VKHB 2072	7614 A	70,000/150,000*54,000	4,090
CRF-32315 A		7615 A	75,000/160,000*58,000	4,970
CRF-32316 A		7616 A	80,000/170,000*61,500	5,900
CRF-32318 A		7618 A	90,000/190,000*67,500	8,230

CRAFT number	SKF code	GOST	Dimensions, mm	Weight, kg
BEARINGS				

CRF-32320 A		7620 A	100,000/215,000*77,500	12,000
CRF-32321 A		7621 A	105,000/225,000*81,500	16,000
CRF-32924 A	VKHB 2247	2007924 A	120,000/165,000*29,000	2,210
CRF-33008 A		3007108 A	40,000/68,000*22,000	0,330
CRF-33009 A		3007109 A	45,000/75,000*24,000	0,420
CRF-33010 A		3007110 A	50,000/80,000*24,000	0,460
CRF-33011 A	VKHB 2156	3007111 A	55,000/90,000*27,000	0,700
CRF-33012 A	VKHB 2045	3007112 A	60,000/95,000*27,000	0,710
CRF-33013 A	VKHB 2047	3007113 A	65,000/100,000*27,000	0,770
CRF-33014 A	VKHB 2044	3007114 A	70,000/110,000*31,000	1,120
CRF-33015 A	VKHB 2046	3007115 A	75,000/115,000*31,000	1,150
CRF-33016 A	VKHB 2140	3007116 A	80,000/125,000*36,000	1,650
CRF-33017 A	VKHB 2321	3007117 A	85,000/130,000*36,000	1,740
CRF-33018 A	VKHB 2048	3007118 A	90,000/140,000*39,000	2,250
CRF-33019 A	VKHB 2082	3007119 A	95,000/145,000*39,000	2,290
CRF-33020 A	VKHB 2124	3007120 A	100,000/150,000*39,000	2,390
CRF-33021 A	VKHB 2162	3007121 A	105,000/160,000*43,000	3,050
CRF-33022 A	VKHB 2163	3007122 A	110,000/170,000*47,000	3,890
CRF-33108 A	VKHB 2190	3007708 A	40,000/75,000*26,000	0,510
CRF-33109 A	VKHB 2056	3007709 A	45,000/80,000*26,000	0,560
CRF-33110 A		3007710 A	50,000/85,000*26,000	0,600
CRF-33111 A	VKHB 2059	3007711 A	55,000/95,000*30,000	0,860
CRF-33112 A		3007712 A	60,000/100,000*30,000	0,940
CRF-33113 A	VKHB 2214	3007713 A	65,000/110,000*34,000	1,300
CRF-33114 A		3007714 A	70,000/120,000*37,000	1,700
CRF-33115 A	VKHB 2222	3007715 A	75,000/125,000*37,000	1,800
CRF-33116 A	VKHB 2326	3007716 A	80,000/130,000*37,000	1,900
CRF-33117 A	VKHB 2158	3007717 A	85,000/140,000*41,000	2,500
CRF-33118 A	VKHB 2331	3007718 A	90,000/150,000*45,000	3,130
CRF-33119 A		3007719 A	95,000/160,000*49,000	4,030
CRF-33120 A		3007720 A	100,000/165,000*52,000	4,450
CRF-33121 A		3007721 A	105,000/175,000*56,000	5,440
CRF-33122 A		3007722 A	110,000/180,000*56,000	5,630
CRF-33205 A	VKHB 2057	3007205 A	25,000/52,000*22,000	0,215
CRF-33206 A	VKHB 2179	3007206 A	30,000/62,000*25,000	0,360
CRF-33207 A	VKHB 2182	3007207 A	35,000/72,000*28,000	0,550
CRF-33208 A	VKHB 2065	3007208 A	40,000/80,000*32,000	0,716
CRF-33209 A	VKHB 2067	3007209 A	45,000/85,000*32,000	0,820

CRAFT number	SKF code	GOST	Dimensions, mm	Weight, kg
BEARINGS				

CRF-33210 A	VKHB 2068	3007210 A	50,000/90,000*32,000	0,830
CRF-33211 A	VKHB 2061	3007211 A	55,000/100,000*35,000	1,200
CRF-33212 A	VKHB 2173	3007212 A	60,000/110,000*38,000	1,600
CRF-33213 A	VKHB 2051	3007213 A	65,000/120,000*41,000	1,910
CRF-33214 A	VKHB 2066	3007214 A	70,000/125,000*41,000	2,170
CRF-33215 A	VKHB 2028	3007215 A	75,000/130,000*41,000	2,270
CRF-33216 A	VKHB 2194	3007216 A	80,000/140,000*46,000	3,020
CRF-33217 A	VKHB 2225	3007217 A	85,000/150,000*49,000	3,700
CRF-33220 A	VKHB 2165	3007220 A	100,000/180,000*63,000	6,780
CRF-331293 A	VKHB 2155		75,000/115,000*32,950	1,120
CRF-331933 A	VKHB 2132		70,000/130,000*57,500	2,830
CRF-332330 A	VKHB 2071		70,010/130,000*57,750	2,780
CRF-215249/215210 A	VKHB 2050		75,987/131,975*39,000	2,080
CRF-218248/218210 A	VKHB 2029		89,975/146,975*40,000	2,515
CRF-220149/220110 A	VKHB 2285		99,975/156,975*42,000	2,842
CRF-39580/39520 A	VKHB 2036		57,150/112,712*30,162	1,361
CRF-39581/39520 A	VKHB 2088		57,150/112,712*30,162	1,361
CRF-39590/39520 A	VKHB 2175		66,675/112,712*30,162	1,144
CRF-537/532 A	VKHB 2014		50,800/107,950*38,100	1,497
CRF-575/572 A			76,200/139,992*36,512	2,319
CRF-580/572 A	VKHB 2041		82,550/139,992*36,512	2,200
CRF-594/592 A	VKHB 2040		95,250/152,400*39,688	2,540
CRF-598/592 A	VKHB 2083		92,075/152,400*39,688	2,548
CRF-663/653 A	VKHB 2043		82,550/146,050*41,275	2,767
CRF-683/672 A	VKHB 2042		95,250/168,275*41,275	3,680
CRF-7815 A		6-7815 A	75,000/135,000*44,500	2,720
CRF-T2ED070 A	VKHB 2024		70,000/130,000*43,000	2,400

<i>CRAFT</i> number	SKF code	GOST	Dimensions, mm	Weight, kg
BALL BEARINGS				

608 2RSA		180018 A	8,000/22,000*7,000	0,012
6003 2RSA		180103 A	17,000/35,000*10,000	0,037
6200 2RSA		180200 A	10,000/30,000*9,000	0,032
6201 2RSA		180201 A	12,000/32,000*10,000	0,037
6202 2RSA		180202 A	15,000/35,000*11,000	0,045
6203 2RSA		180203 A	17,000/40,000*12,000	0,066
6204 2RSA	VKT 8952	180204 A	20,000/47,000*14,000	0,106
6205 2RSA	VKT 8673	180205 A	25,000/52,000*15,000	0,125
6206 2RSA	VKT 8994	180206 A	30,000/62,000*16,000	0,192
6303 2RSA		180303 A	17,000/47,000*14,000	0,111
6304 2RSA		180304 A	20,000/52,000*15,000	0,148
6305 2RSA		180305 A	25,000/62,000*17,000	0,232
6306 2RSA		180306 A	30,000/72,000*19,000	0,348

CRAFT number	SKF code	ISO number	Dimensions, mm	Weight, kg
BLOCK HUB BEARINGS				

CRF-41.03628			69,800/120,000*50,000 70,000/125,000*51,650	4,150
CRF-41.03650	VKBA 5549	BTF-0056 EB	82,000/195,300*110,000	14,800
CRF-41.05052			100,000/148,000*135,000	5,700
CRF-41.05923			69,800/125,000*57,000 70,000/125,000*57,000	4,700
CRF-41.19305	VKBA 5412 VKBA 5552	BTH-0055 A	82,000/140,000*115,000	6,450
CRF-41.24482	VKBA 5314	BTH-0018 A	68,000/127,000*115,000	6,257
CRF-41.39770			70,000/194,000*112,000	10,700
CRF-41.67828	VKBA 5423		93,800/148,000*135,000	4,563
CRF-41.67830			58,000/110,000*115,000	4,500
CRF-41.67831			68,000/125,000*115,000	4,773
CRF-41.83074	VKBA 5397	BTH-0025 A	90,000/160,000*126,000	10,208
CRF-41.93288	VKBA 5377	BTF-0110 A BTF-0021 A	70,000/196,000*130,000	12,618
CRF-41.93420	VKBA 5408		105,000/160,000*140,000	6,968

All hub block bearings are delivered with seals, grease, assembly and sealing rings that are necessary for replacement.

CRAFT number	SKF code	Bearings	Dimensions, mm	Weight, kg
HUB SET BEARINGS				

CRF-42.098033	VKBA 5521 VKBA 2421	CRF-32310 A CRF-33116 A	50,000/110,000*42,250 80,000/130,000*37,000	5,110
CRF-42.098034	VKBA 5522 VKBA 2422	CRF-33118 A CRF-33213 A	90,000/150,000*45,000 65,000/120,000*41,000	6,640
CRF-42.343012			120,000/175,000*123,000	6,650
CRF-42.343016		CRF-33213 A CRF-218248/ 218210 A	65,000/120,000*41,000 89,975/146,975*40,000	5,650
CRF-42.343018			82,000/138,000*110,000	5,850
CRF-42.343019			88,000/138,000*130,000	5,058

CRAFT number	SNR code	SKF code	Dimensions, mm	Weight, kg
REPAIRING SETS FOR MINIBUSES				

CRF-43.25736	R140.13	VKBA 3551	40,000/73,000*55,000	0,770
CRF-43.80066	R140.14	VKBA 3552	55,000/90,000*60,000	0,960
CRF-43.80498	R140.97	VKBA 3406	45,000/80,000*45,000	1,510
CRF-43.80959	R140.80	VKBA 959	50,800/85,000*17,463	1,060
CRF-43.81598	R140.98		45,000/80,000*45,000	0,580
CRF-43.83406	R154.32	VKBA 3406	45,000/80,000*45,000	0,720
CRF-43.83434	R140.76	VKBA 3434	25,000/52,000*22,000	0,573
CRF-43.83435	R154.46	VKBA 3435	49,000/84,000*48,000	1,300
CRF-43.83475	R154.47	VKBA 3475	50,000/90,000*24,750	0,420
CRF-43.83640	R140.17	VKBA 3640	49,000/84,000*48,000	1,000
CRF-43.83641	R140.38	VKBA 3641	55,000/90,000*60,000	1,620
CRF-43.83642	R140.37	VKBA 3642	42,000/75,000*60,000	1,380
CRF-43.83646	R154.58	VKBA 3646	30,000/85,000*45,000	3,790
CRF-43.83655	R152.66	VKBA 3655	45,000/189,000*93,000	5,740
CRF-43.86571	R141.00	VKBA 6571	42,000/143,000*103,000	4,670
CRF-43.86572	R140.89	VKBA 6572	42,000/160,000*103,000	4,490
CRF-43.86702	R154.33	VKBA 3406	45,000/80,000*45,000	0,885

All hub repairing sets are delivered with seals, grease, assembly and sealing rings that are necessary for replacement.

Maintenance schedule for commercial vehicles

The life of a wheel bearing is dependent on the way in which the servicing and maintenance are carried out on the vehicle. Regular servicing means safe and economical driving.

Common causes of bearing failure include poor maintenance, damaged seals which allow contaminants to enter the bearing, also damage resulting from punctured tyres. In order to improve the quality and ease the task of maintenance, Craft Truck has introduced a complete range of bearings and seals for commercial vehicles.

40.000 Km:
Check wheel bearings.

Front wheels:

Support front of vehicle. Spin wheels and check for noise.

Front and rear wheels:

Check for play in bearings (follow instructions in manufacturer's work - shop manual).

Always follow the manufacturer's instruction manual!

If excessive noise or play are observed dismount bearings for checking. Always change seals, regardless of condition.

100.000 Km or once annually, dismount wheel bearings.

1. Support vehicle, dismount seals and bearings (following workshop manual).

2. Clean all components. Wash bearings in white spirit.

3. Dry bearings carefully with compressed air, blowing through the bearing. Do not allow the bearing to rotate, or damage may be caused.

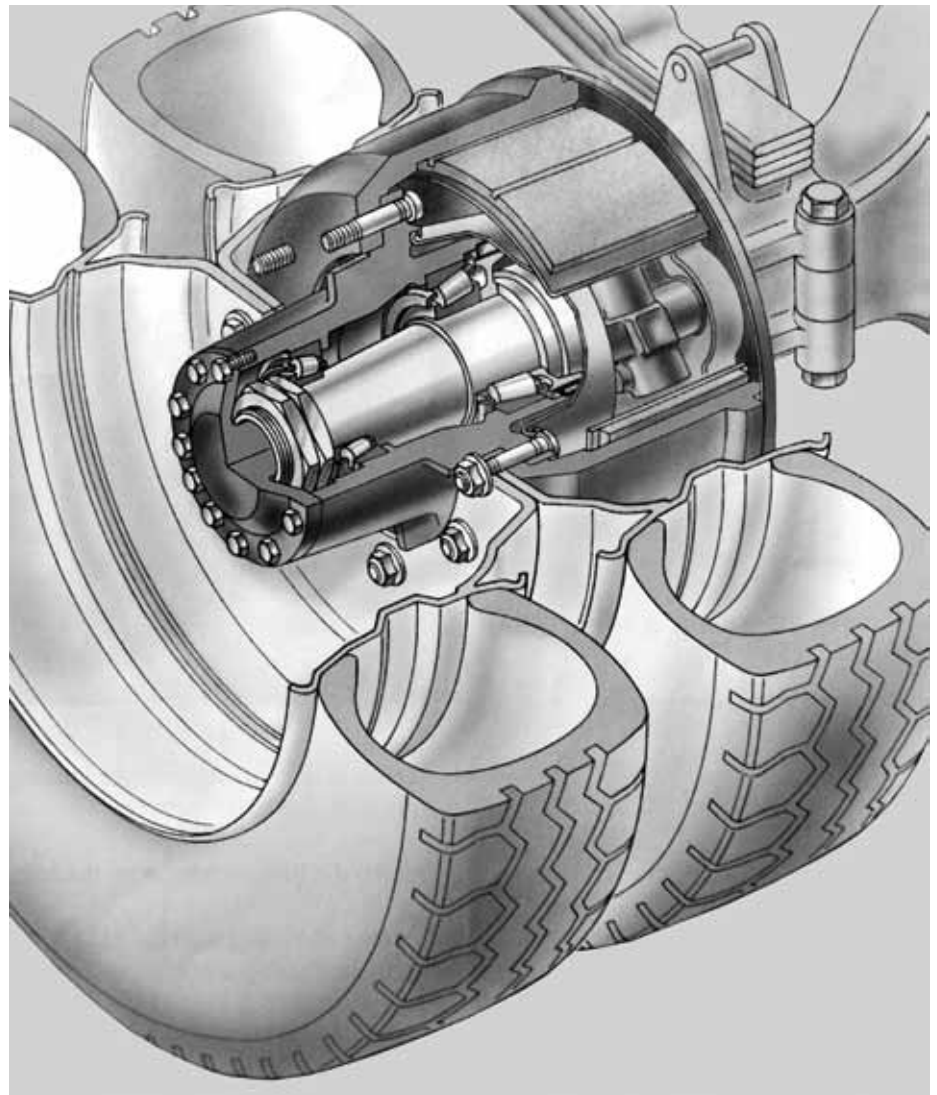
4. Check rolling elements, cages and raceways. If there is the slightest doubt regarding damage. the bearing should be rejected.

5. Lubricate the bearing immediately with the appropriate grease or oil. Ensure that the working environment is clean, in order to avoid contamination of the bearings.

6. Mount bearings, seals and associated components. Use the correct mounting tools. Always follow the manufacturer's instructions in the workshop manual

In addition to bearings and seals, Craft Truck offers a full range of lubricants as well as suitable tools for mounting and maintenance. Catalogues are available, from which you can select the right bearings and seals for your vehicle.

Always follow the manufacturer's instruction manual!



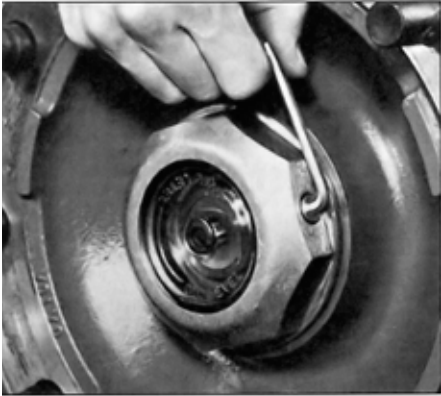
Service procedures oil lubricated hubs

Removing hub, replacing bearings and seals.

A. Raise the vehicle and place stands under the axle and remove the wheel nuts. Lift off the wheel with a wheel lift.

B. Unscrew the oil plug (2) and drain the oil from the hub.

Place a lift against the brake drum, lock the brake drum to the hub with two nuts.

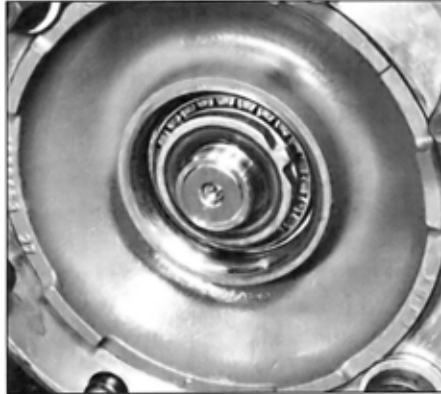


D. Unscrew the hub cap (1).

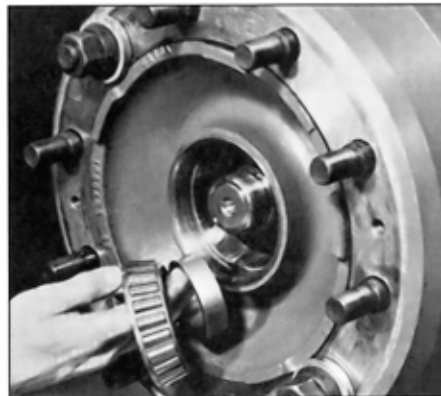
E. Remove the lock ring (4) and the lock washer (5).



F. Unscrew the hub nut (3) and remove the safety washer (6) from the axle stub.



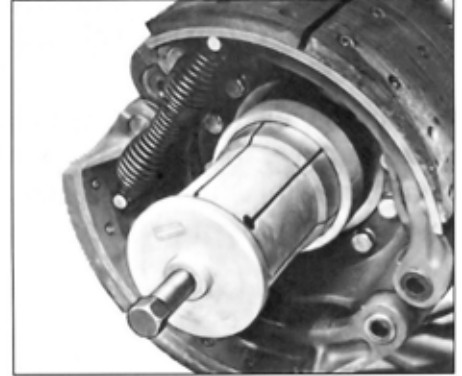
G. Remove the brake drum and hub from the axle stub using a puller. Take care of the outer bearing (7) and the spacer sleeve (9) in the hub. If necessary adjust down the brake shoes.



H. Remove the two wheel nuts locking the drum to the hub.

I. Detach the brake drum from the hub.

J. Remove the inner bearing (12) from the axle stub using a puller, and remove the sealing ring (14). This is to be done only in those cases where the bearing is still on the axle stub.



K. Remove the wear ring (15) from the axle stub, using a lever tool.

(To be carried out only in those cases



where the wear ring is defective).

L. Press out the sealing ring (14) using a lever, and remove the inner bearing (12). (Applies if the sealing ring (14) and inner bearing (12) have accompanied the hub during its removal). Remove the sleeve (11) with spring washer (10) and clip (16).



NOTE! The sealing ring must be renewed when the hub has been removed.

M. Press the outer bearing outer ring (8) out of the hub using a standard handle and a drift. Use a sleeve as a support underneath.

N. Press the inner bearing outer ring (13) out of the hub using a standard handle and an adaptor.

O. Press the outer bearing outer ring (8) into the hub using a standard handle and an adaptor.

P. Press the inner bearing outer ring (13) into the hub using a standard handle and an adaptor. Use a sleeve as a support underneath.

Q. Fit the sleeve (11), spring washer (10), clip (16) and the inner bearing (12) in the hub.

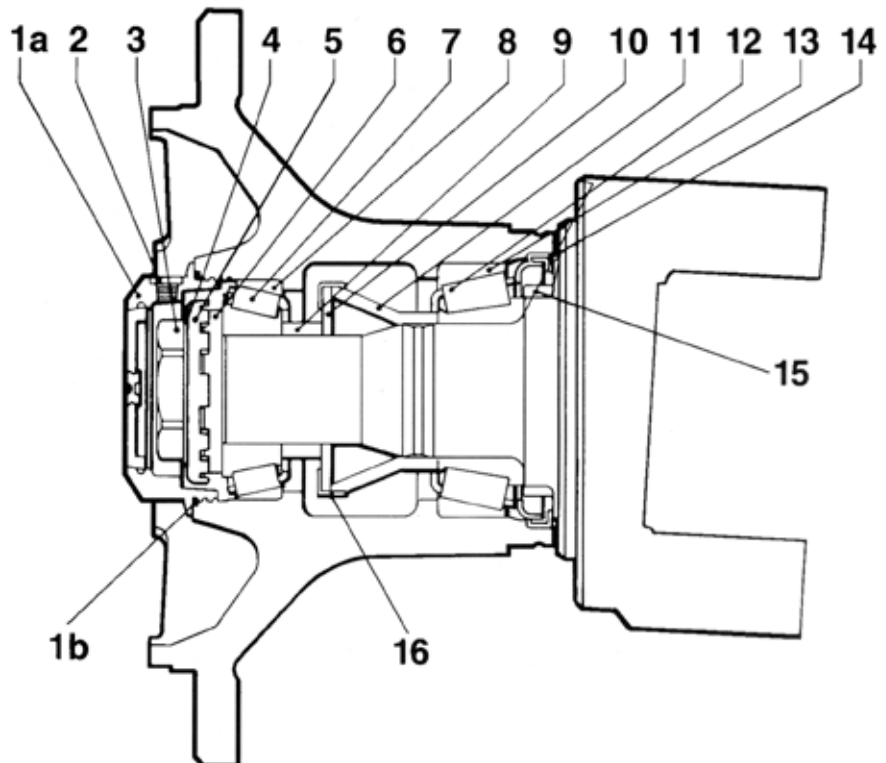


R. Press a new sealing ring (14) into the hub using an adaptor and a suitable plate. Press twice to avoid uneven installation. The sealing ring must bottom in the hub.

S. Tap the wear ring (15) on the axle stub using a hollow drift and an adaptor. Note: The bevel side of the wear ring should face inwards. The wear ring must be fitted with an adaptor which bottoms against the axle shoulder. This is to prevent the wear ring from bottoming against the axle face. (To be carried out only in those cases where the wear ring has been removed).



- 1a Hub cap
- 1b O-ring
- 2 Oil plug
- 3 Hub nut
- 4 Lock ring
- 5 Lock washer
- 6 Safety washer
- 7 Outer bearing
- 8 Outer ring, outer bearing
- 9 Spacer sleeve
- 10 Washer spring
- 11 Sleeve
- 12 Inner bearing
- 13 Outer ring, inner bearing
- 14 Sealing ring
- 15 Wear ring
- 16 Washer spring lock clip



Installing

A. Oil the inner bearing and grease the sealing ring lips.

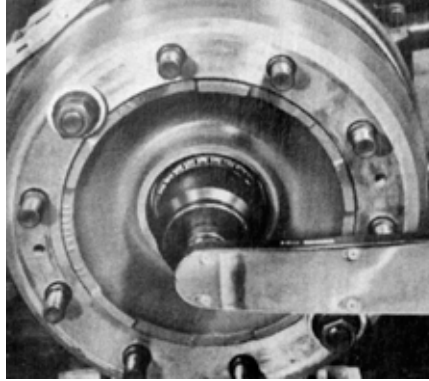
B. Remove any oil spill from the brake drum and brake shoes.

C. Assemble the hub to the brake drum. NOTE! Make sure the brake drum's threaded holes for the puller bolts do not coincide with the hub recesses. Lock the brake drum to the hub using two wheel nuts. Fit the hub and brake drum on the axle.

D. Fit the spacer sleeve (9) on the axle stub. Oil and fit the outer bearing (7) on the axle stub.

E. Fit the safety washer (6). Lubricate

Follow the manufacturer's instruction manual.



G. Fit the lock washer (5) for locking the hub nut, turn the nut until it fits on the safety washer pin.

I. Oil the hub cap O-ring (if necessary renew the O-ring).

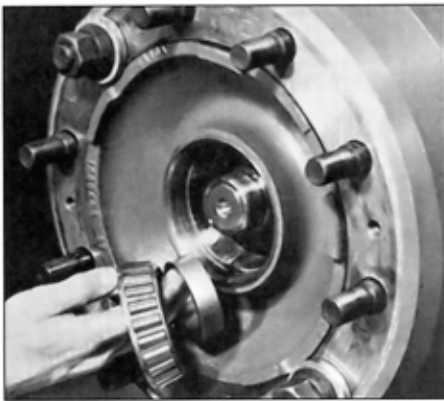
J. Screw on the hub cap (1).

K. Unscrew the two wheel nuts locking the drum to the hub and remove the lift.

L. Fill the hub with engine oil. Let it sink down and then check the level. It should be between the circular marks in the inspection window.

M. Screw tight the oil plug (2) in the hub.

N. If necessary adjust up the brake shoes.



the safety washer's contact surface against the hub nut, and the axle stub, with a little oil.

F. Screw the hub nut to the prescribed torque. Check the bearing clearance.



H. Fit the circlip (4) for locking the lock washer axially.



O. Lift the wheel into position with a wheel lift and screw on the wheel nuts.

P. Lower the vehicle and tighten the wheel nuts.



CRAFT[®]

bearings

www.craft-bearings.lv

CRAFT bearings LV

18 Novembra iela 2a
Rezekne, LV-4601, Latvia
Phone: +371 64611800
e-mail: info@craft-bearings.lv
www.craft-bearings.lv